

Arne

Accessory for single
column-mounting

Urbidermis Team
2013



Product description

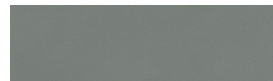
Characteristics

Accessory for installing one floodlight on a column of $\varnothing 127$ mm.
Enables the Arne floodlight to be positioned.

Finishes



Light grey



Medium grey



Dark grey

The finishes shown are purely indicative. With **Superior** protection: high corrosion resistance for environments with demanding climate conditions. For coastal areas with severe climate conditions, check out our **Premium** protection finish. Other colours are available upon request.

Materials

- AISI304 stainless steel flange (included in AR1P**) and anodised injected aluminium EN-AC-47100 bracket with powder-coated finish.
- A2 stainless steel hardware.

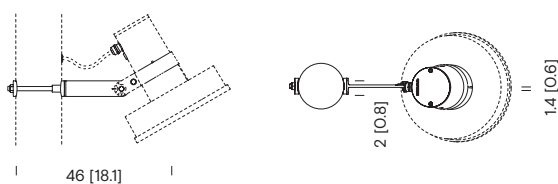
Installation

- Attach the accessory to the column, and then attach the floodlight to the accessory.
- The accessory is delivered separately; no floodlight included.
- Instructions and hardware included.

Weight kg [lb]

Accessory: 0.4 [0.9]
Approximate weight without packaging.

Dimensions cm [in]



ARA01

Arne

Accessory for double
column-mounting

Urbidermis Team
2013



Product description

Characteristics

Accessory for installing two floodlights on a column of $\varnothing 127$ mm. Enables the Arne floodlight to be positioned.

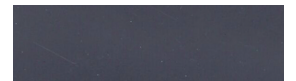
Finishes



Light grey



Medium grey



Dark grey

The finishes shown are purely indicative. With **Superior** protection: high corrosion resistance for environments with demanding climate conditions. For coastal areas with severe climate conditions, check out our **Premium** protection finish. Other colours are available upon request.

Materials

- AISI304 stainless steel flange (included in AR1P**) and anodised injected aluminium EN-AC-47100 bracket with powder-coated finish.
- A2 stainless steel hardware.

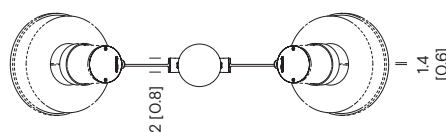
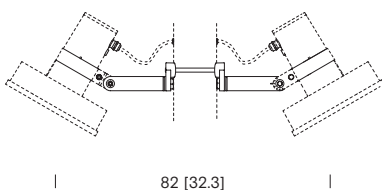
Installation

- Attach the accessory to the column, and then attach the floodlight to the accessory.
- The accessory is delivered separately; no floodlight included.
- Instructions and hardware included.

Weight kg [lb]

Accessory: 0.7 [1.5]
Approximate weight without packaging.

Dimensions cm [in]



ARA02

Arne

Accessory for multiple single column-mounting

Urbidermis Team
2013



Product description

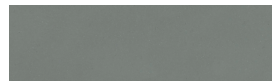
Characteristics

Accessory for installing up to two floodlights on a column.
Enables the Arne floodlight to be positioned.

Finishes



Light grey



Medium grey



Dark grey

The finishes shown are purely indicative. With **Superior** protection: high corrosion resistance for environments with demanding climate conditions. For coastal areas with severe climate conditions, check out our **Premium** protection finish. Other colours are available upon request.

Materials

- AISI304 stainless steel flange and support and anodised injected aluminium EN-AC-47100 bracket with powder-coated finish.
- A2 stainless steel hardware.

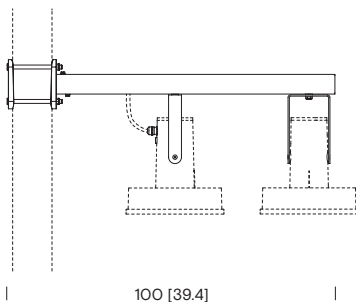
Installation

- Attach the accessory to the column, and then attach the floodlight to the accessory.
- The accessory is delivered separately; no floodlight or support included.
- Instructions and hardware included.

Weight kg [lb]

Arm: 2.3 [5]
Support: 0.6 [1.3]
Approximate weight without packaging.

Dimensions cm [in]



ARA05 + ARA07

Arne

Accessory for multiple double column-mounting

Urbidermis Team
2013



Product description

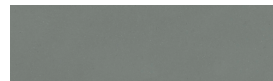
Characteristics

Accessory for installing up to four floodlights on a column.
Enables the Arne floodlight to be positioned.

Finishes



Light grey



Medium grey



Dark grey

The finishes shown are purely indicative. With **Superior** protection: high corrosion resistance for environments with demanding climate conditions. For coastal areas with severe climate conditions, check out our **Premium** protection finish. Other colours are available upon request.

Materials

- AISI304 stainless steel flange and support and anodised injected aluminium EN-AC-47100 bracket with powder-coated finish.
- A2 stainless steel hardware.

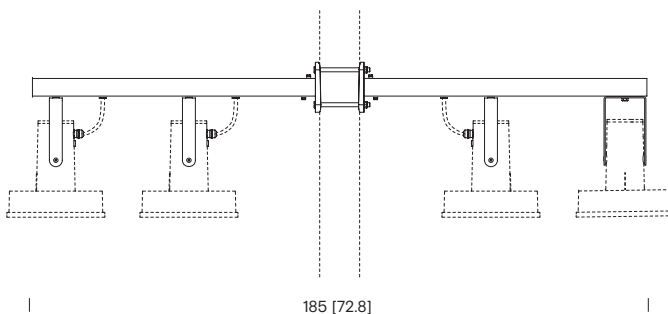
Installation

- Attach the accessory to the column, and then attach the floodlight to the accessory.
- The accessory is delivered separately; no floodlight or support included.
- Instructions and hardware included.

Weight kg [lb]

Arm: 4.3 [9.5]
Support: 0.6 [1.3]
Approximate weight without packaging.

Dimensions cm [in]



ARA06 + ARA07

Arne

Accessory for retrofit single column-mounting

Urbidermis Team
2013



Product description

Characteristics

Accessory for installing a floodlight on a column.
Enables the Arne floodlight to be positioned.

Finishes



Light grey



Medium grey



Dark grey

The finishes shown are purely indicative. With **Superior** protection: high corrosion resistance for environments with demanding climate conditions. For coastal areas with severe climate conditions, check out our **Premium** protection finish. Other colours are available upon request.

Materials

- AISI304 stainless steel support with powder-coated finish.
- A2 stainless steel hardware.

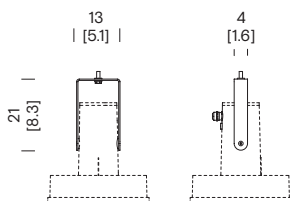
Installation

- Attach the accessory to the floodlight.
- The accessory is delivered separately; no floodlight included.
- Instructions and hardware included.

Weight kg [lb]

Accessory: 0.6 [1.3]
Approximate weight without packaging.

Dimensions cm [in]



ARA07

Arne

Accessory for single column-mounting of indirect lighting

Urbidermis Team
2013

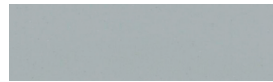


Product description

Characteristics

Accessory for installing an indirect floodlight on a column.

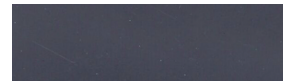
Finishes



Light grey



Medium grey



Dark grey

The finishes shown are purely indicative. With **Superior** protection: high corrosion resistance for environments with demanding climate conditions. For coastal areas with severe climate conditions, check out our Premium protection finish. Other colours are available upon request.

Materials

- AISI304 stainless steel and anodised injected aluminium EN-AC-46500 accessories with powder-coated finish.
- Reflective screen with a PIMC white finish.
- A2 stainless steel hardware.

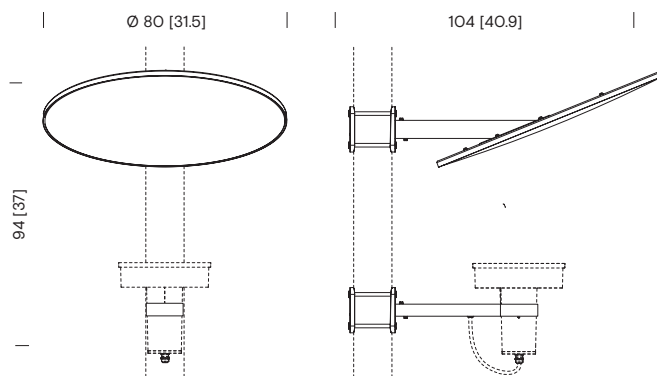
Installation

- Attach the accessory to the column, and then attach the floodlight to the accessory.
- The accessory is delivered separately; no floodlight included.
- Instructions and hardware included.

Weight kg [lb]

Accessory: 10 [22]
Approximate weight without packaging.

Dimensions cm [in]



ARA08

Arne

Accessory for double column-mounting of indirect lighting

Urbidermis Team
2013



Product description

Characteristics

Accessory for installing two indirect floodlights on a column.

Finishes



Light grey



Medium grey



Dark grey

The finishes shown are purely indicative. With **Superior** protection: high corrosion resistance for environments with demanding climate conditions. For coastal areas with severe climate conditions, check out our **Premium** protection finish. Other colours are available upon request.

Materials

- AISI304 stainless steel and anodised injected aluminium EN-AC-46500 accessories with powder-coated finish.
- Reflective screen with a PIMC white finish.
- A2 stainless steel hardware.

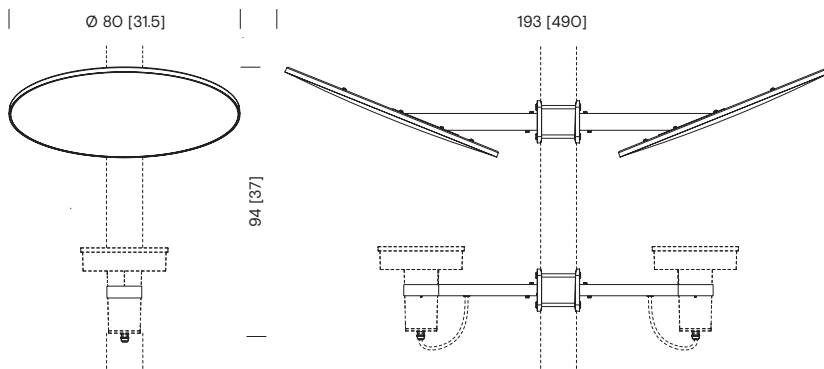
Installation

- Attach the accessory to the column, and then attach the floodlight to the accessory.
- The accessory is delivered separately; no floodlight included.
- Instructions and hardware included.

Weight kg [lb]

Accessory: 20 [44]
Approximate weight without packaging.

Dimensions cm [in]

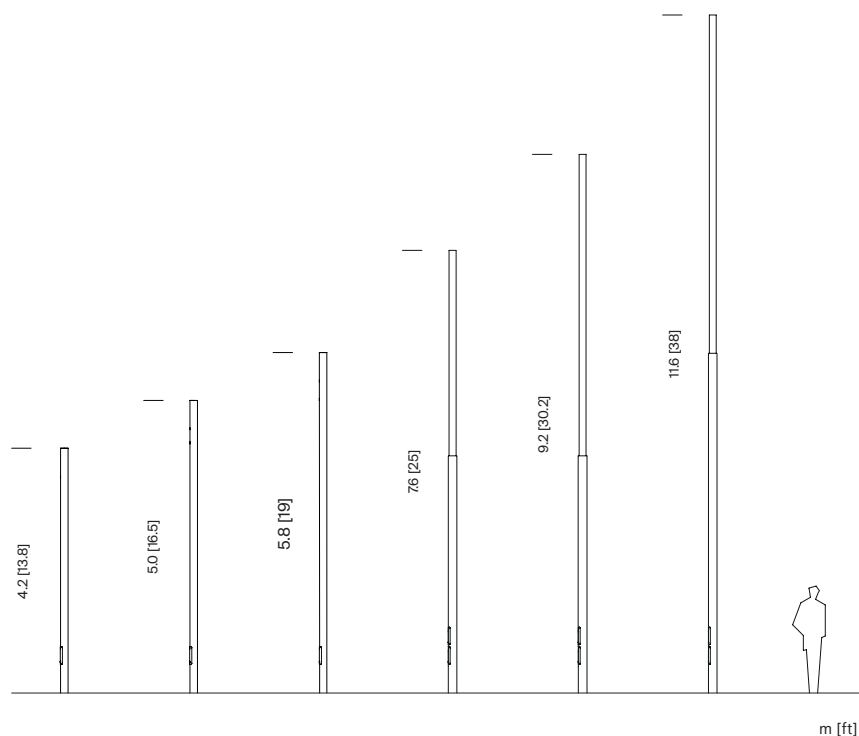


ARA09

Arne

Columns

Urbidermis Team
2013



Product description

Characteristics

Direct lighting

- One section (Ø127 mm): 4.4 / 5.2 / 6.0 m.
- Two sections (Ø152 / Ø127 mm): 7.8 / 9.4 m.
- Two sections (Ø168 / Ø127 mm): 11.8 m.

Indirect lighting

- One section (Ø127 mm): 5.2 / 6.0 m.
- Two sections (Ø152 / Ø127 mm): 7.8 / 9.4 m.

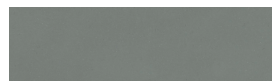
Materials

- Column, with one or two sections, made of hot-dip galvanized cylindrical S-275 JR Class 1 steel tube with a powder-coated finish.
- Zinc-plated steel (275) bolts.
- Zinc-plated steel hardware.

Finishes



Light grey



Medium grey



Dark grey

The finishes shown are purely indicative. With Premium protection: high corrosion resistance, suitable for coastal areas with severe climatic conditions. Other colours are available upon request.

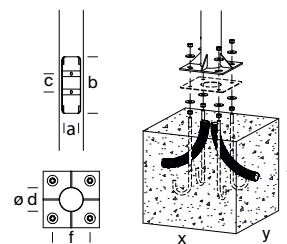
Regulations

- 305/2011/EU
- UNE-EN 40
- UNE-EN-ISO 1461

Installation

- Column secured via a concrete block, with a groove for electrical connection, which is produced on site with four anchoring bolts per column, 20 cm below the level of the pavement.
- Template and anchoring bolts included.

- Bolts
- (4x) M18 x 500
- Distance between bolts
- Columns 4.4 / 5.2 / 6.0 m: 210 x 210 mm
 - Columns 7.8 / 9.2 / 11.8 m: 300 x 300 mm



Reference	Total height (m)	Visible height (m)	External measurements (d)	Thickness (mm)	Base plate (mm)	Distance between bolts (mm)	Bolts (x4) (f)	No. of openings	Opening (mm) (a/b/c)	Foundation (mm) (x/y/z)	No. of floodlights allowed		
ARC11P	4.4	4.2	Ø 127	3	300x300x10	210x210	M18x500	1	83/300/97	650x650x600	1		
ARC13P											2		
ARC21P	5.2	5.0									1		
ARC22P											2		
ARC23P											1/2		
ARC25P											1		
ARC31P	6.0	5.8								800x800x700	2		
ARC32P											1/2		
ARC33P											2		
ARC34P											1/2		
ARC35P											2		
ARC36P											2		
ARC37P	7.8	7.6	Ø 127 Ø 152	3 3	400x400x10	300x300	2	102/450/118 and 182	900x900x700	3			
ARC41P										4			
ARC42P										1/4			
ARC43P										2			
ARC44P										1/4			
ARC45P										3			
ARC46P										2			
ARC47P										4			
ARC48P										5			
ARC49P										9.4	9.2	1000x1000x1000	2
ARC51P													4
ARC52P													2
ARC54P	4												
ARC55P	2												
ARC56P	5												
ARC57P	11.8	11.6	Ø 127 Ø 168	3 5	1000x1000x1000	4							
ARC59P						2							
ARC61P	11.8	11.6	Ø 127 Ø 168	3 5	1000x1000x1000	5							
ARC62P						6							

*Recommendations: for calculation in ground type II (according to UNE-40) and wind speed of 29 m/s, with soil formed by loose or wet sand of medium compactness (EO = 4800 KN/m²), with HM-20 concrete foundations. Information is not binding. We advise that checks are carried out at each location.