

Bicilínea

Bike rack

Beth Galí
1996



Product description

Certificates



Finishes

Support



Frosted steel

Rail



Mirror polished steel

The finishes shown are purely indicative. Suitable for coastal areas.

Materials

- Modular support made from an AISI 304 stainless steel plate with a frosted finish.
- Beam and supports made of Ø84 x 2 mm tube of the same material, with a mirror polished finish.

Installation and maintenance

- The supports made of Ø51 x 2 mm tube of the same material are secured with Ø35 mm bolts for the base and Ø16 mm bolts for the arm.
- The element is supplied as two separate components: the support and the beam.
- Installation and assembly instructions and hardware included.
- It does not require any maintenance.

Regulations

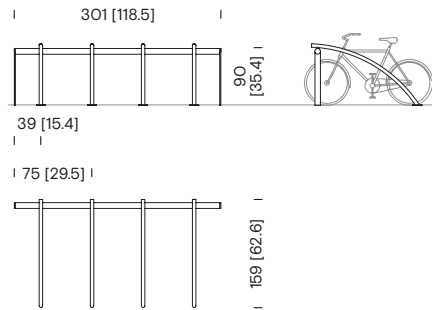
- UNE 41510
- UNE-EN 10088
- UNE-EN ISO 9445
- UNE ISO 21542

Weight kg [lb]

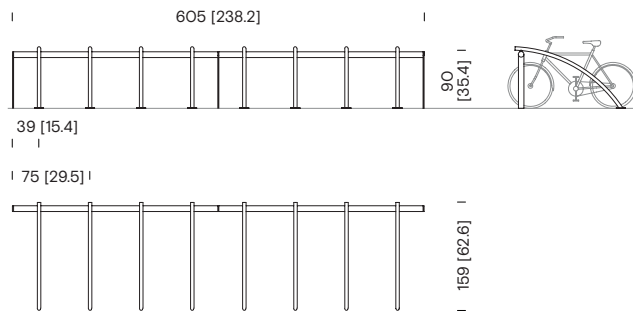
- Initial module: 50 [110.2]

Approximate weight without packaging.

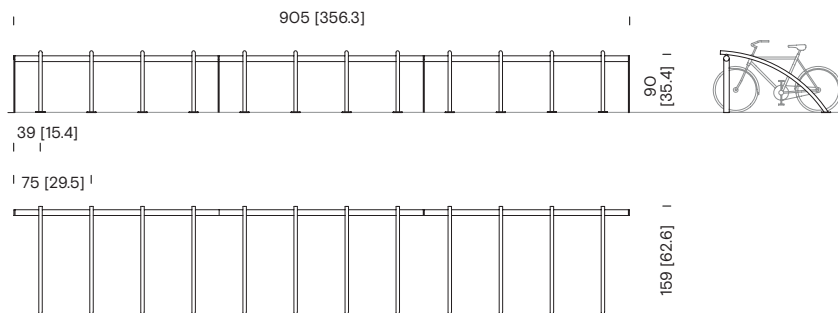
Dimensions cm [in]



Single-section bike rack
BIA+111



Two-section bike rack
BIA+211



Three-section bike rack
BIA+311