



### Materials

Made from cast iron with antirust protection with paint finish.

### Installation and maintenance

Embedded fixation by means of anchor base part of the same structure, sunk 15 cm [6 in] below the pavement, into a hole previously drilled and filled with epoxy resin, quick-setting cement or similar. Delivered assembled and packaged. Instructions are included. No functional maintenance is required. For further information log onto [urbidermis.com](http://urbidermis.com)

### Standards

ASTM A 536, GR 80/55/06, DIN 1693: GGG 50\_ GG22, UNE-EN-124, ISO 12944, UNE 41510.

### Finishes



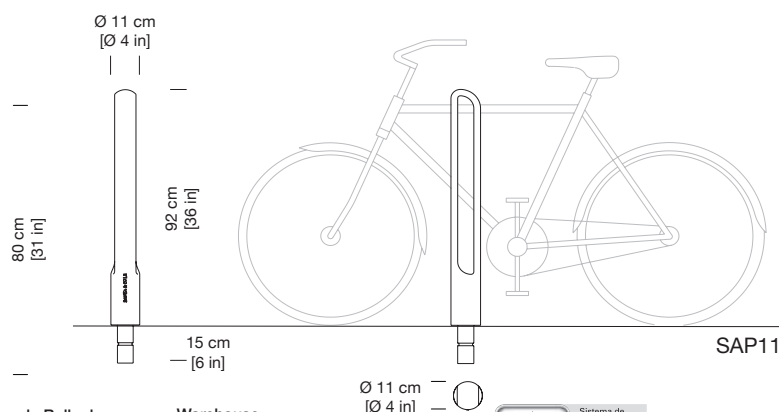
Oxiron black

\*The colours shown are merely indicative and may differ from reality. (Other colours available to order)

\*\*Consult finishes for marine environments.

### Weight kg [lb] (unpacked)

33,7 [74.30]



Headquarters Parc de Belloch  
Ctra. C-251, Km 5,6  
E-08430 La Roca (Barcelona, Spain)  
+34 938 619 100

Warehouse  
Carrer del Fou. Polígono Industrial Sud  
E-08440 Cardedeu (Barcelona, Spain)  
+34 938 619 182

