



Materials:

The support is made from one AISI 304 (optionally AISI 316) satin polished stainless steel plate and a Ø 84 x 2 mm mirror polished stainless steel tube rail.

Finishes:



Satin polished

Mirror polished

*The colors shown are merely indicative and may differ from reality. (Other colors available to order)

**See special finishes for marine environments

Weight (kg):

Initial module: 50

Installation and maintenance:

The Ø 51x2 mm tube supports of the same material are fixed by Ø 35 mm bolts for the foot and Ø 16 mm for the arm.

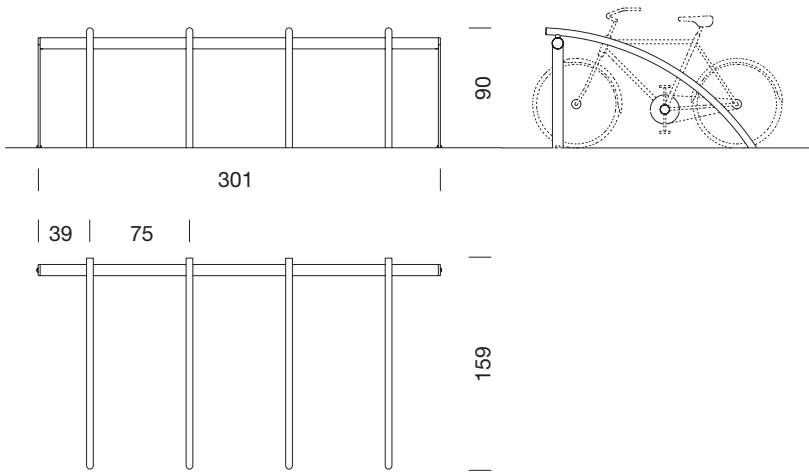
Delivered unassembled and packaged in two parts: support and tubes.

Instructions, screws and anchor bolts are included.

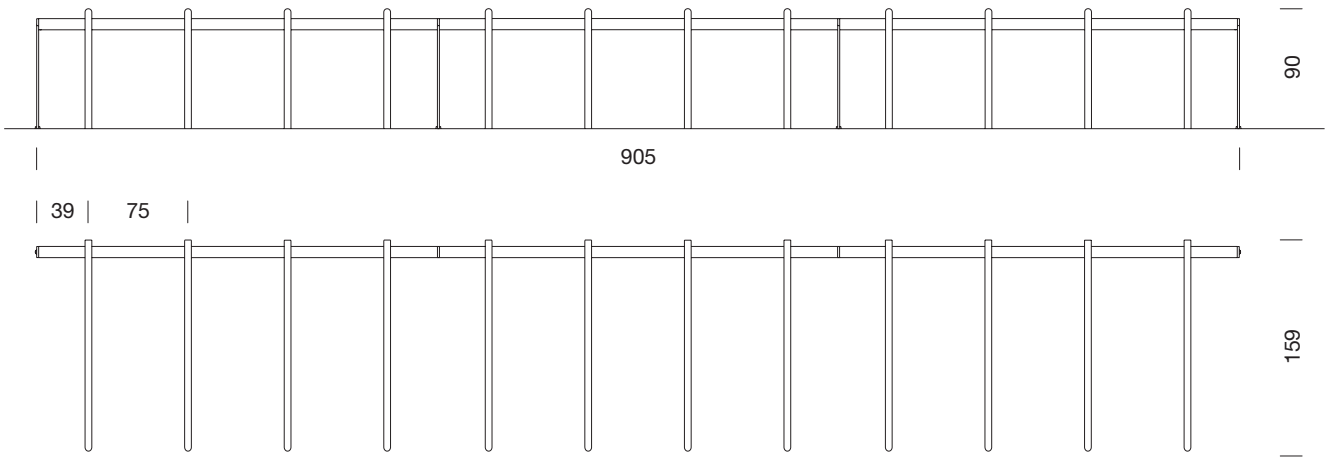
No functional maintenance is required.

(For further information log onto urbidermis.com)

Applicable standards: UNE-EN 13369, UNE-EN13198, UNE EN 771-3, UNE 7178, UNE 146507, EHE 08



Bicilínea bicycle rack 1 unit surface mounted



Bicilínea bicycle rack 3 units surface mounted

Sizes in cm