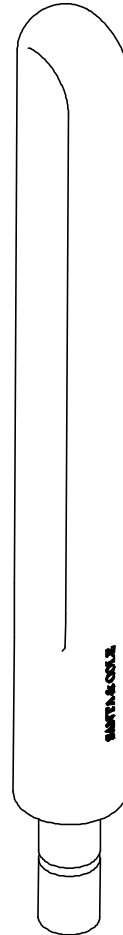


Medidas en cm
(Measures in inches)

especificaciones técnicas technical specifications

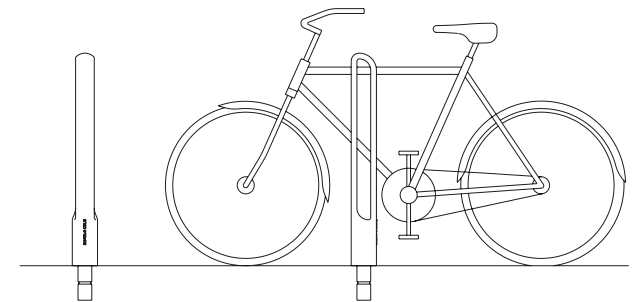
Peso/Weight		
34 Kg		
75 lb		
Esp. tecnicas/Technical specification		
	material/ material	acabado/ finish
Pilona/ Bollard	Fund. hierro GG-22 GG-22 iron cast	Cataforesis, pintado negro forja Cataphoresis, painted black forge



SANTA & COLE

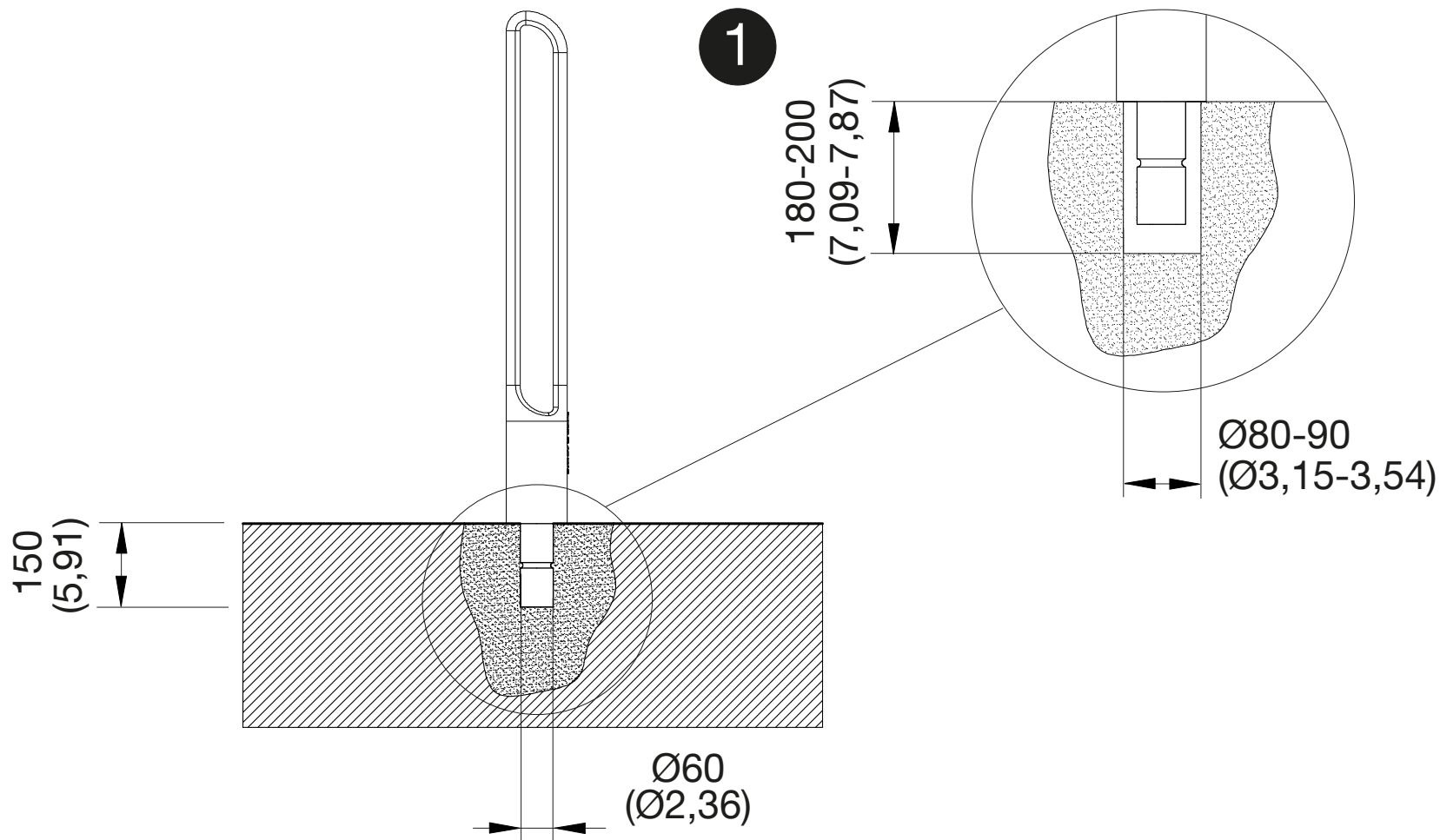
SAMMY

diseño/design by
Oriol Guimerà
2005



instrucciones de montaje
assembly instructions

Rellenar de resina epoxi, Pórtland rápido o similar. (Ø recomendado)
Fill with epoxy resin, fast-drying cement or similar. (recommended Ø)



Medidas en mm
(Measures in inches)