

# Arne S

Accessory for  
column-mounting

Urbidermis Team  
2018



## Product description

### Characteristics

Accessory for installing a floodlight on a column of between Ø114 mm and Ø127 mm. Enables the Arne S floodlight to be positioned.

### Finishes



Light grey



Medium grey



Dark grey

The colours shown are purely indicative. Other colours are available upon request. Check finishes for marine environments.

### Materials

- AISI304 stainless steel flange and anodised injected aluminium EN-AC-47100 bracket with protection powder-coated, suitable for C5 zones.
- A2 stainless steel hardware.

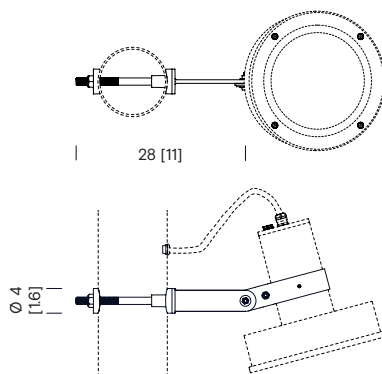
### Installation

- Attach the accessory to the column, and then attach the floodlight to the accessory.
- The accessory is delivered separately: no floodlight included.
- Instructions and hardware included.

### Weight kg [lb]

- Accessory: 0.8 [1.8]  
Approximate weight without packaging.

### Dimensions cm [in]

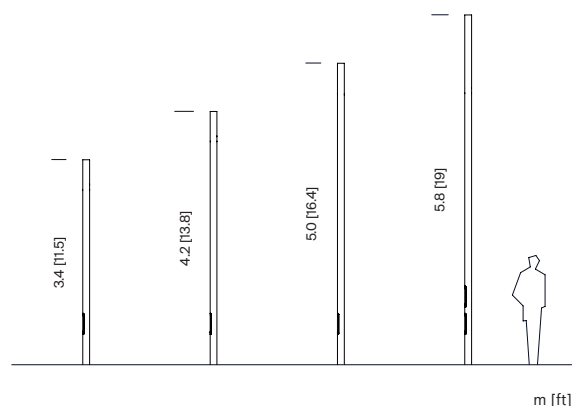


ARPS01

# Arne S

## Columns

Urbidermis Team  
2018



m [ft]

## Product description

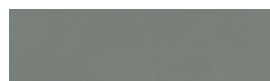
### Characteristics

- Ø 114.3mm: 3.6 / 4.4 / 5.2 / 6.0 m.

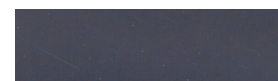
### Finishes



Light grey



Medium grey



Dark grey

The colours shown are purely indicative. Other colours are available upon request. Check finishes for marine environments.

### Materials

- Column made of cylindrical hot-dip galvanized S-275 JR Class 1 steel tube with a powder-coated finish.
- Zinc-plated steel (275) bolts.
- Zinc-plated steel hardware.

### Regulations

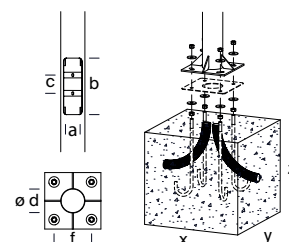
- 305/2011/EU
- UNE-EN 40
- UNE-EN-ISO 1461

### Installation

- Column secured via a concrete block, with a groove for electrical connection, which is produced on site with four anchoring bolts per column, 20 cm below the level of the pavement.
- Template and anchoring bolts included.

- Bolts
- (4x) M18 x 500

- Distance between bolts
- 210 x 210 mm



Reference	Total height (m)	Visible height (m)	External measurements (d)	Thickness (mm)	Base plate (mm)	Distance between bolts (mm)	Bolts (x4) (f)	No. of openings	Opening (mm) (a/b/c)	Foundation (mm) (x/y/z)	No. of floodlights allowed
ARFS11P	3.6	3.4	Ø 114.3	3	300x300x10	210x210	M18x500	1	83/400/105	600x600x600	1
ARFS21P	4.4	4.2								700x700x600	1
ARFS22P										2	
ARFS31P	5.2	5.0								800x800x600	1
ARFS32P										2	
ARFS41P	6.0	5.8						900x900x700	3		

\*Recommendations: for calculation in ground type II (according to UNE-40) and wind speed of 29 m/s, with soil formed by loose or wet sand of medium compactness (EO = 4800 KN/m<sup>2</sup>), with HM-20 concrete foundations. Information is not binding. We advise that checks are carried out at each location.

Parc de Belloch, Ctra. C251, km. 5,6, 08430 La Roca (Barcelona)  
Warehouse, Pol. Ind. Sud, Avenida del Vallés nº19, 08440 Cardedeu (Barcelona)



Last updated: 15/05/2024. For further information, go to [urbidermis.com](http://urbidermis.com) / Tel. +34 938 619 100 / [hola@urbidermis.com](mailto:hola@urbidermis.com)  
Technical information provided by Urbidermis may be modified without prior notice. We protect intellectual property.

urbidermis