

Arne S

Accessory for surface-mounting

Urbidermis Team
2018



Product description

Characteristics

Accessory for installing a floodlight on a surface.
Enables the Arne S floodlight to be positioned.

Finishes



Light grey



Medium grey



Dark grey

The colours shown are purely indicative. Other colours are available upon request. Check finishes for marine environments.

Materials

- AISI304 stainless steel flange and anodised injected aluminium EN-AC-47100 bracket with powder-coated finish, suitable for C5 zones.
- A2 stainless steel hardware.

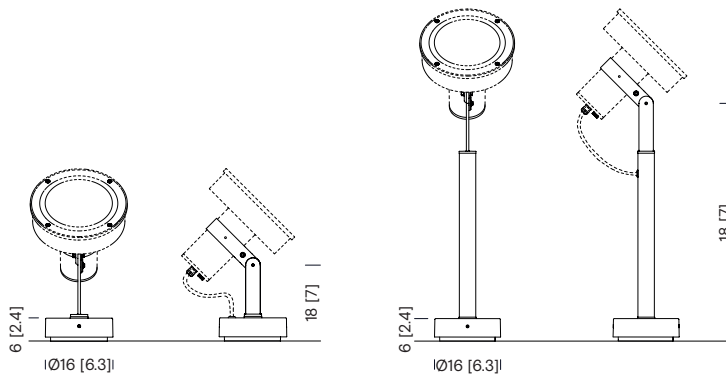
Installation

- Attach the accessory to the surface, and then attach the floodlight to the accessory.
- The accessory is delivered separately: no floodlight included.
- Instructions and hardware included.

Weight kg [lb]

- Short accessory: 1.5 [3.3]
 - Long accessory: 2.1 [4.6]
- Approximate weight without packaging.

Dimensions cm [in]



ARPS02S

ARPS02L

Parc de Belloch, Ctra. C251, km. 5,6, 08430 La Roca (Barcelona)
Warehouse, Pol. Ind. Sud, Avenida del Vallés nº19, 08440 Cardedeu (Barcelona)

Last updated: 12/04/2024. For further information, go to urbidermis.com / Tel. +34 938 619 100 / hola@urbidermis.com
Technical information provided by Urbidermis may be modified without prior notice. We protect intellectual property.

