



Materials

Accessory for installing one floodlight to a surface. The system allows the free orientation of the floodlight. Primed and powder coated stainless steel bracket. Primed and powder coated injected aluminium support. Stainless steel screws.

Installation

Fix the accessory to the surface and subsequently the floodlight to the accessory. Adaptable to an integrated or external power installation. The accessory is delivered disassembled. Instructions and screws included. *Floodlight not included.

For further information go to urbidermis.com

Finishes



Light grey

Medium grey

Dark grey

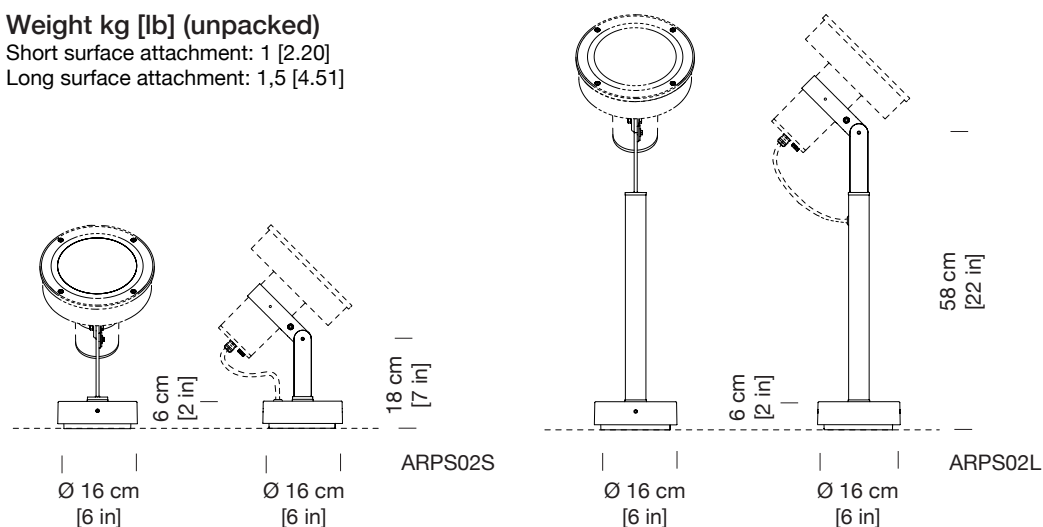
*The colours shown are merely indicative and may differ from reality. (Other colours on request)

**Request finishes for marine environments.

Weight kg [lb] (unpacked)

Short surface attachment: 1 [2.20]

Long surface attachment: 1,5 [4.51]



Headquarters Parc de Belloch
 Ctra. C-251, Km 5,6
 E-08430 La Roca (Barcelona, Spain)
 +34 938 619 100

Warehouse
 Carrer del Fou. Polígono Industrial Sud
 E-08440 Cardedeu (Barcelona, Spain)
 +34 938 619 182

