



### Materials

Accessory for the installation of a column projector, with a diameter from Ø114mm to Ø127mm. Allows you to orient the Arne S floodlight. Finished stainless steel flange, primed and powder painted. Finished aluminum injection fasteners primed and powder painted. Stainless steel hardware.

### Installation

Fix the accessory to the pole and subsequently the floodlight to the accessory. The accessory is delivered disassembled. Instructions and screws included.

\*Floodlight not included.

For further information go to [urbidermis.com](http://urbidermis.com)

### Finishes



Light grey



Medium grey



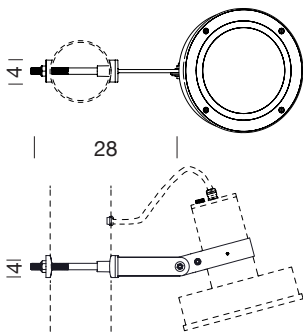
Dark grey

\*The colours shown are merely indicative and may differ from reality. (Other colours on request)

\*\*Request finishes for marine environments.

### Weight kg [lb] (unpacked)

1 [2.20]

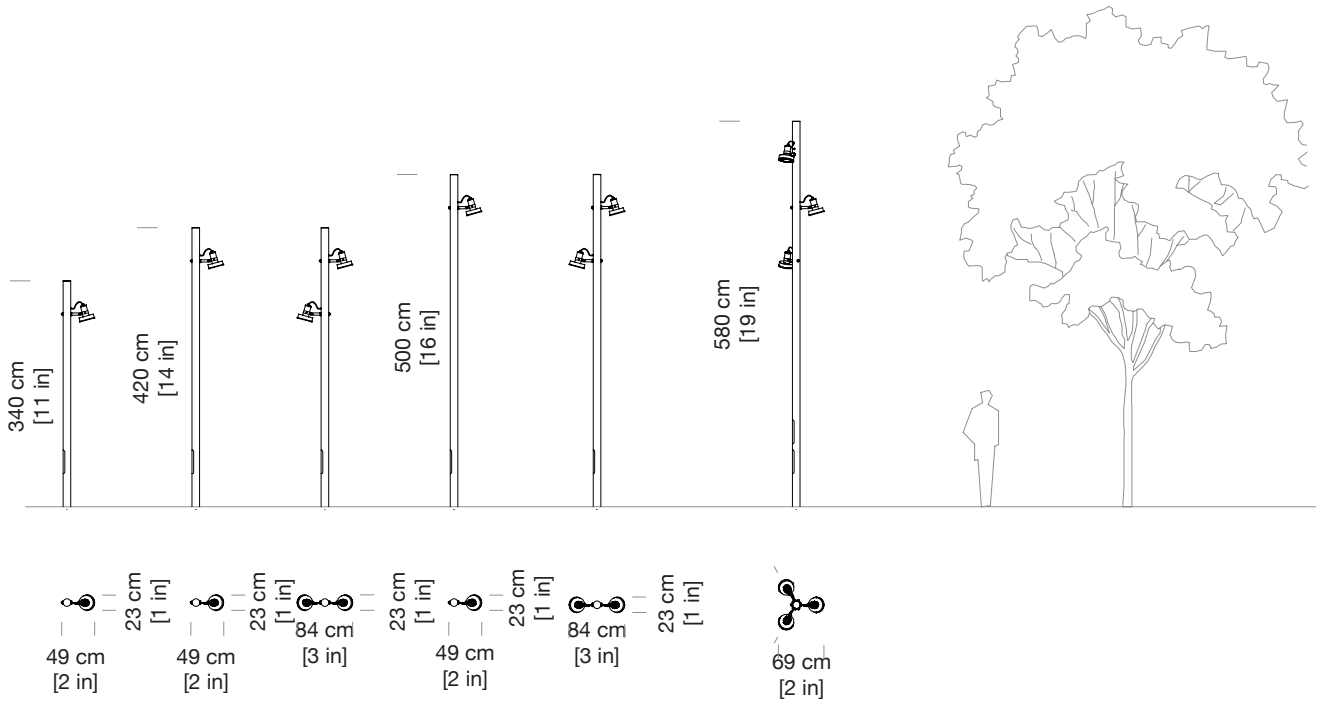


ARPS01  
Dimensions in cm

Headquarters Parc de Belloch  
Ctra. C-251, Km 5,6  
E-08430 La Roca (Barcelona, Spain)  
+34 938 619 100

Warehouse  
Carrer del Fou. Polígono Industrial Sud  
E-08440 Cardedeu (Barcelona, Spain)  
+34 938 619 182





**Materials**

Cylindrical tube S-275 JR Class 1 steel poles of one section, hot-dip galvanised steel primed and painted finished.  
Steel bolts (275) zinc plated.

**Installation**

The pole is installed using a concrete socket, with a slot for the wiring, and anchor bolts, 20 cm [8 in] below the level of the pavement. Installation template and anchor bolts included.

\*Recommendations: for calculation in ground type II (according to UNE-40) and wind speed of 29 m/s, with soil formed by loose or wet dirt or sand of medium compactness ( $E_0 = 4800 \text{ KN/m}^2$ ), with HM-20 concrete. Non-binding information. We advise to carry out checks for each situation.

For further information go to [urbidermis.com](http://urbidermis.com)

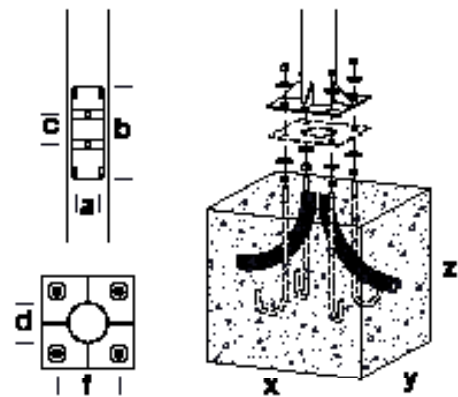
**Bolts**

(4x) M18 x 500

**Distance between bolts**

Poles: 3,6 [11.8], 4,4 [14.4] / 5,2 [17.0] / 6,0 [19.7]

Base: 210 x 210 mm [8.26 x 8.26 in]



Reference	Total height (m) [ft]	Visible height (m) [ft]	Outer sizes (D)	Thickness (mm) [in]	Base plate (mm) [in]	Distance between bolts (F) (mm) [in]	Bolts (x4)	N° Doors	Door (A/B/C) (mm) [in]	Foundation (X/Y/Z) (mm) [in]	N° admitted floodlights
ARFS11P	3,6 [12]	3,4 [11]	∅ 114,3 [∅ 5]	3 [0.12]	300x300x10 [12x12x0.39]	210x210 [8x8]	M18x500	1	83/350/105 [3x14x4]	600x600x600 [24x24x24]	1
ARFS21P	4,4 [14]	4,2 [14]								700x700x600 [28x28x24]	1
ARFS22P										2	
ARFS31P	5,2 [17]	5,0 [16]								800x800x600 [32x32x24]	1
ARFS32P										2	
ARFS41P	6,0 [20]	5,8 [19]	900x900x700 [35x35x28]	3							

# Arne S Pole

Urbidermis. 2018

Urbidermis

## Standards

305/2011/EU Regulation, UNE-EN 40, UNE-EN-ISO 1461.

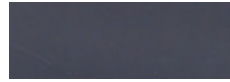
## Finishes



Light grey



Medium grey



Dark grey

\*The colours shown are merely indicative and may differ from reality. (Other colours on request)

\*\*Request finishes for marine environments

Headquarters Parc de Belloch  
Ctra. C-251, Km 5,6  
E-08430 La Roca (Barcelona, Spain)  
+34 938 619 100

Warehouse  
Carrer del Fou. Polígono Industrial Sud  
E-08440 Cardedeu (Barcelona, Spain)  
+34 938 619 182

