



Materials

Primed and powder coated Injected aluminium floodlight. Tempered optical glass diffuser. Polymer sealing gasket. Stainless steel and black zinc-plated steel screws.

Installation



The Arne S floodlight has a variety of accessories to adapt it to different poles, structures, surfaces or wiring. The floodlight is supplied in two components: the lighting body and the accessory. Instructions and screws included.

For further information go to urbidermis.com

Standards

UNE-EN 60529, UNE-EN 60598, UNE-EN 55015, UNE-EN 61000, UNE-EN 50102, UNE-EN 62031, UL 1598, UL 8750, (file E-505192).

Light system with CE marking made in ENAC-certified laboratory.

IP66 (protection from dust ingress and high-pressure water jets), Suitable for wet locations, IK08 (protection against external mechanical impacts).

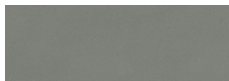
Electrical Class

Class I (CE)

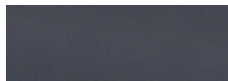
Finishes



Light grey



Medium grey



Dark grey

*The colours shown are merely indicative and may differ from reality. (Other colours on request)

**Upon request, Urbidermis provides a special Marine Grade finish

Weight kg [lb] (unpacked)

3,7 [8.15]

Surface exposed to wind (m²) [ft²]

0,28 [0.43]

Technical information

High-efficiency optical unit with 8, 12 LEDs and COB.

Nominal lamp power (W)

8 LEDs: 8 / 11 / 18
12 LEDs: 12 / 18 / 22
COB: 14 / 20 / 30

System power (W)

8 LEDs: 11 / 15 / 21
12 LEDs: 15 / 21 / 29
COB: 19 / 27 / 37

Operating current (mA)

350, 500, 700

Colour temperature (K)

3000 CRI min80, 4000 CRI min80
Other color temperatures and/or CRI available upon request.

Power supply

Constant current driver.

Regulation

1-10V / DALI / Header flux regulation / Programmable automatic regulation / Wireless connection through node to street lighting management platforms. The LED luminaire may be regulated using a number of differing interfaces. These controls allow specific, individual control of light, reducing energy consumption in a sustainable manner. Constant light output (clo) Assures a constant lumen output from the luminaire throughout its lifetime.

Power factor (cos Φ):

N° LEDs	Intensidad (mA)	P (W) 100%, 100%
8	350	0.77
	500	0.83
	700	-
12	350	0.85
	500	0.90
	700	-
COB	350	0.93
	500	0.96
	700	0.98

Operating voltage

220-240V 50-60Hz (CE) / 120V 60Hz (UL)

Recommended wire

0,6/1 kV 3x2,5mm² / 0,6/1 kV 5x1,5mm² (prog.)

Operating rated temperature (°C)

Ta 30.

Lifetime

TM21 L90 (10k) > 100.000 h.

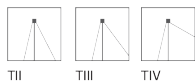
Thanks to an optimised thermal design, the luminous flux is maintained up to 90% after 100.000 h.

Light distributions

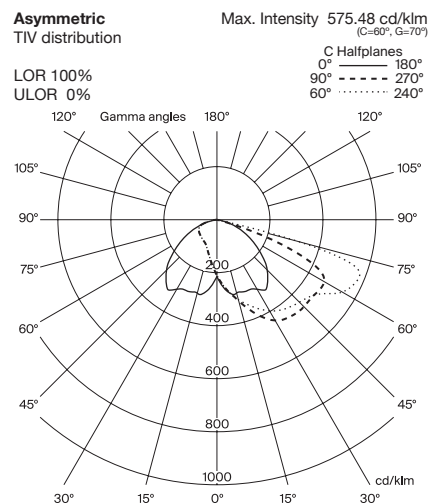
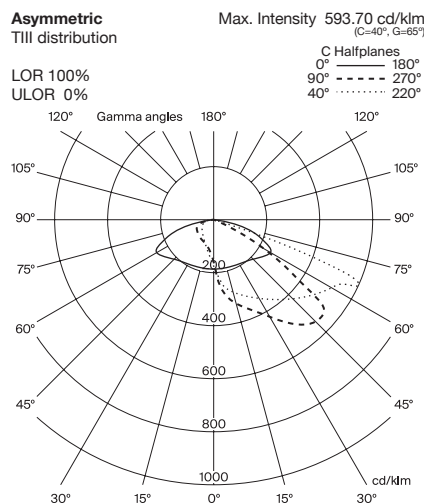
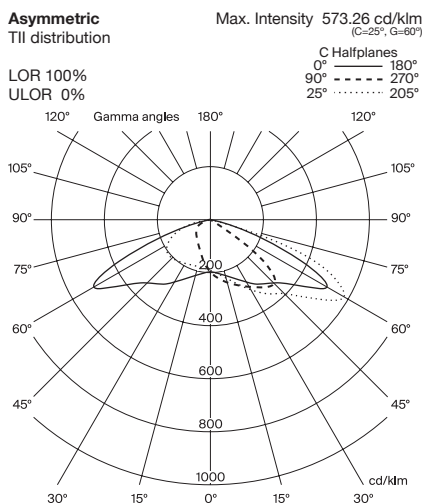
Symmetric



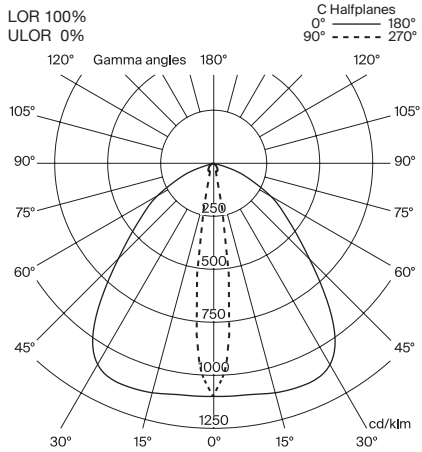
Asymmetric



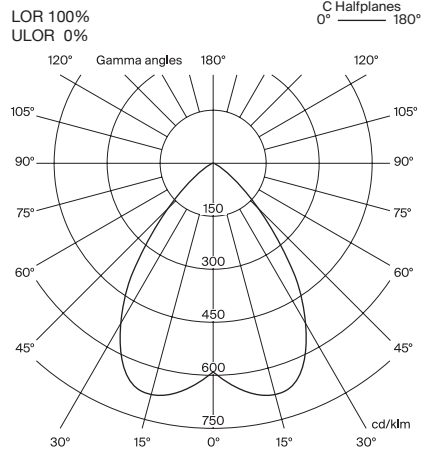
Upper Light Output Ratio (ULOR%) 0.



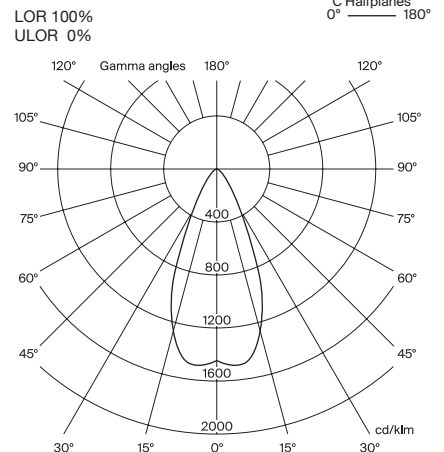
Asymmetric
Lightblade
Max. Intensity 1128.56 cd/klm
(C=0°, G=22.50°)



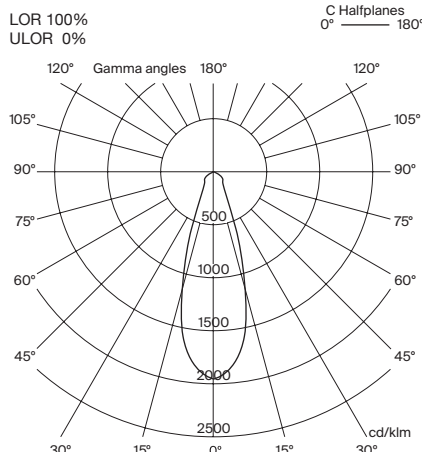
Symmetric
Wide Flood
Max. Intensity 677.34 cd/klm
(C=30°, G=60°)



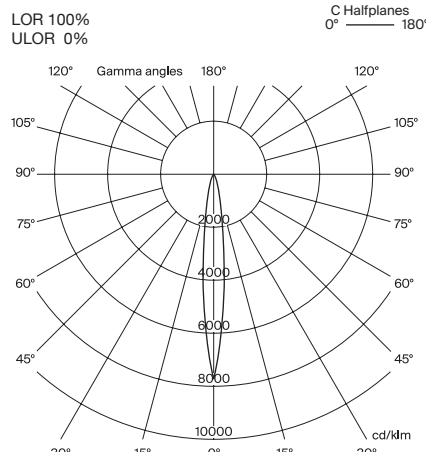
Symmetric
Flood
Max. Intensity 1476.19 cd/klm
(C=30°, G=60°)



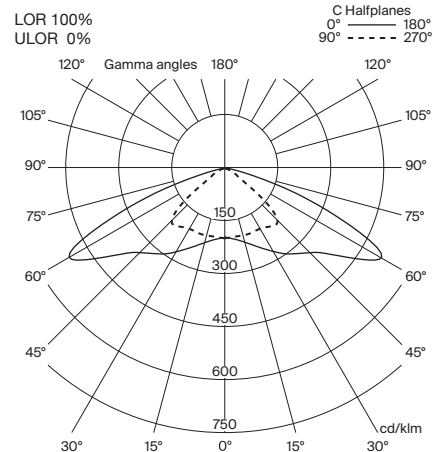
Symmetric
Medium
Max. Intensity 1951.75 cd/klm
(C=30°, G=60°)



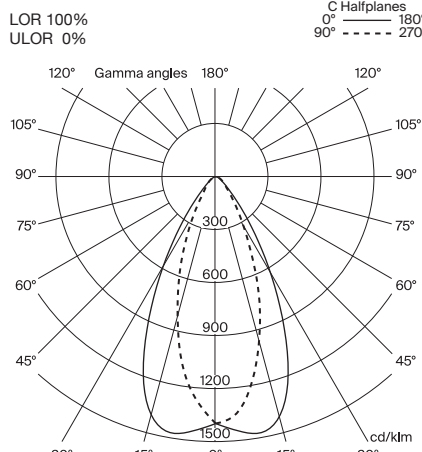
Symmetric
Spot
Max. Intensity 7697.66 cd/klm
(C=30°, G=60°)



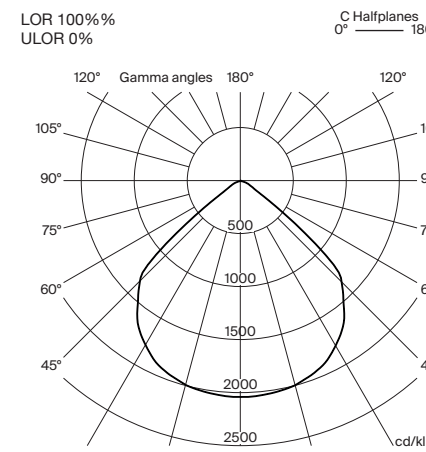
Symmetric
TII + II distribution
Max. Intensity 317,64 cd/klm
(C=30°, G=60°)



Symmetric
Wide Flood Opal
Max. Intensity 1415.29 cd/klm
(C=0°, G=10°)

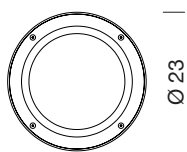


Symmetric
Wide Flood (CoB)
Max. Intensity 2047.95 cd/klm
(C=30°, G=60°)

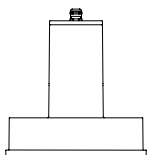


Reference	LEDs nº	T.colour (K)	Current (mA)	Power lamp (W)	System power (W)	IESNA **TII		IESNA **TIII		IESNA **TIV		Wide Flood **WF (76°)		Flood **F (42°)		Medium **M (30°)		Spot **S (15°)		Oval **OV		Lightblende **LB		IESNA **TII+II	
						Luminous flux (lm)	Efficacy (lm/W)	Luminous flux (lm)	Efficacy (lm/W)	Luminous flux (lm)	Efficacy (lm/W)	Luminous flux (lm)	Efficacy (lm/W)	Luminous flux (lm)	Efficacy (lm/W)	Luminous flux (lm)	Efficacy (lm/W)	Luminous flux (lm)	Efficacy (lm/W)	Luminous flux (lm)	Efficacy (lm/W)	Luminous flux (lm)	Efficacy (lm/W)	Luminous flux (lm)	Efficacy (lm/W)
ARPS8A1**	8	3000 CRI min80	350	8	11	857	77	806	73	823	74	896	81	967	87	945	85	927	84	945	85	864	78	823	74
ARPS8B1**			500	11	15	1162	77	1092	73	1116	74	1215	81	1311	87	1281	85	1257	84	1281	85	1171	78	1116	74
ARPS8C1**			700	18	21	1547	75	1454	70	1485	72	1617	78	1745	84	1705	82	1673	81	1705	82	1558	75	1485	72
ARPS8A2**		4000 CRI min80	350	8	11	1011	91	950	86	971	88	1057	95	1141	103	1114	100	1094	99	1114	100	1019	92	971	88
ARPS8B2**			500	11	15	1370	91	1288	86	1316	88	1433	95	1546	103	1510	100	1482	99	1511	100	1381	92	1316	88
ARPS8C2**			700	18	21	1824	88	1714	83	1751	85	1907	92	2058	99	2010	97	1973	95	2010	97	1838	89	1751	85
ARPS12A1**	12	3000 CRI min80	350	12	15	1279	83	1202	78	1228	80	1337	87	1443	94	1409	92	1383	90	1409	92	1288	84	1228	80
ARPS12B1**			500	18	21	1748	83	1643	78	1678	80	1827	87	1972	94	1926	92	1891	90	1926	92	1761	84	1678	80
ARPS12C1**			700	22	29	2328	80	2188	74	2235	75	2626	89	2566	88	2518	85	2345	79	2566	85	2433	83	2433	83
ARPS12A2**		4000 CRI min80	350	12	15	1508	98	1418	92	1448	94	1577	103	1701	111	1662	108	1631	106	1662	108	1519	99	1448	94
ARPS12B2**			500	18	21	2061	98	1937	92	1979	94	2155	102	2325	111	2272	108	2230	106	2272	108	2077	99	1979	94
ARPS12C2**			700	22	29	2745	94	2580	88	2635	90	2870	98	3097	106	3026	103	2970	101	3026	103	2766	95	2635	90
ARPS12A1**	COB	3000 CRI min80	350	14	19	-	-	-	-	-	-	2325	119	-	-	-	-	-	-	-	-	-	-	-	-
ARPS12B1**			500	20	27	-	-	-	-	-	-	3178	114	-	-	-	-	-	-	-	-	-	-	-	-
ARPS12C1**			700	30	36	-	-	-	-	-	-	4234	119	-	-	-	-	-	-	-	-	-	-	-	-

*Floodlight CoB not programmable



Ø 23



22

Dimensions in cm

Headquarters Parc de Belloch
Ctra. C-251, Km 5,6
E-08430 La Roca (Barcelona, Spain)
+34 938 619 100

Warehouse
Carrer del Fou. Polígono Industrial Sud
E-08440 Cardedeu (Barcelona, Spain)
+34 938 619 182

