

# Bina Litterbin

Gonzalo Milá, Martina Zink, 2004

Urbidermis



## Materials

Body and lid made of coloured polyethylene by rotomoulding in blue, yellow, green. Optional customised finish, logo and/or symbols.

## Installation and maintenance

Embedded in the ground and filled with sand for stability or anchored to pavement with expansion anchors. Delivered assembled and packaged. Instructions and anchor bolts are included. No functional maintenance is required, others than standard cleaning. For further information log onto [urbidermis.com](http://urbidermis.com)

## Finishes



Blue



Yellow



Green

\*The colours shown are merely indicative and may differ from reality. (Other colours available to order)

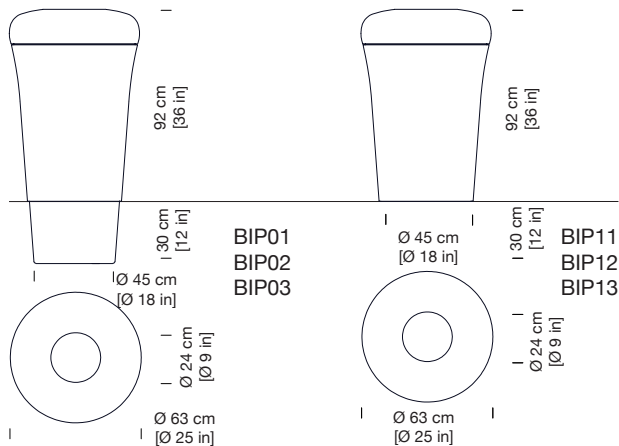
\*\*Consult finishes for marine environments.

## Capacity (l)

165.

## Weight kg [lb] (unpacked)

9 [19.84]



Headquarters Parc de Belloch  
Ctra. C-251, Km 5,6  
E-08430 La Roca (Barcelona, Spain)  
+34 938 619 100

Warehouse  
Carrer del Fou. Polígono Industrial Sud  
E-08440 Cardedeu (Barcelona, Spain)  
+34 938 619 182



Sistema de Gestión  
ISO 9001:2015  
ISO 14001:2015  
www.urbidermis.com  
ID: 890002291