



**Materials**

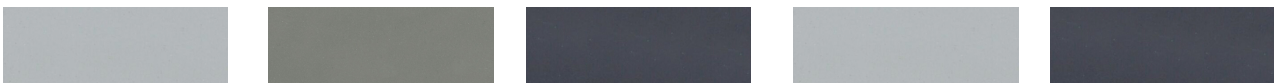
Accessory to install one luminaire to a pole. Injection aluminum support primed and powdercoat finished. Stainless steel screws.

**Installation**

Fix the accessory to the pole and later the luminaire to the accessory. The anchoring system is integrated into the luminaire. The accessory is delivered disassembled. Instructions and screws included.  
 \*Luminaire not included.

For further information go to [urbidermis.com](http://urbidermis.com)

**Finishes**



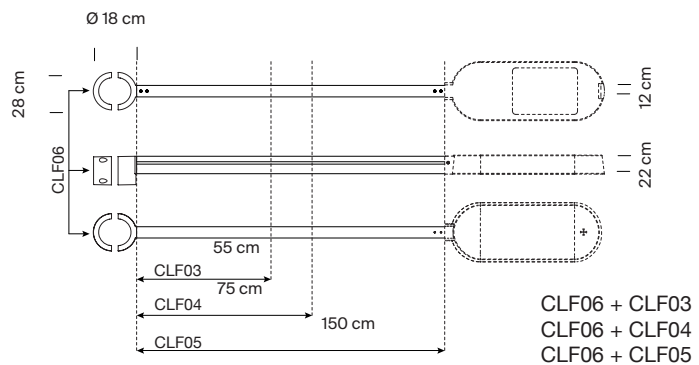
Light grey      Medium grey      Dark grey      Aluminum silver (US only)      Dusk (US only)

\*The colours shown are merely indicative and may differ from reality. (Other colours on request)

\*\*Request finishes for marine environments.

**Weight kg (unpacked)**

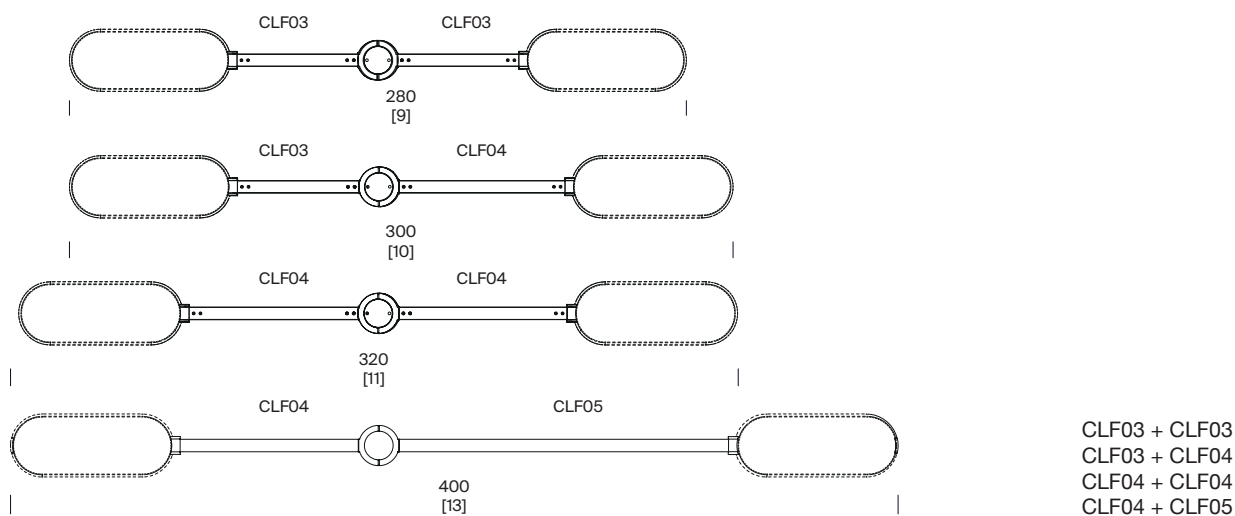
- Bracket (CLF06): 0,8.
- Short arm (CLF03): 3.
- Middle arm (CLF04): 6.
- Long arm (CLF05): 10.



Headquarters Parc de Belloch  
 Ctra. C-251, Km 5,6  
 E-08430 La Roca (Barcelona, Spain)  
 +34 938 619 100

Warehouse  
 Carrer del Fou. Polígono Industrial Sud  
 E-08440 Cardedeu (Barcelona, Spain)  
 +34 938 619 182





**Materials**

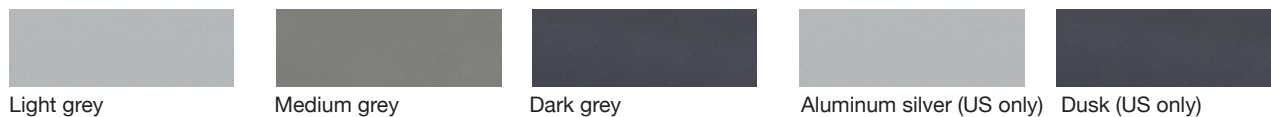
Accessory to install two luminaires to a pole. Primed and powder coated injected aluminium arms and bracket. Stainless steel screws.

**Installation**

Fix the accessory to the pole and later the luminaire to the accessory. The anchoring system is integrated into the luminaire. The accessory is delivered disassembled. Instructions and screws included. \*Luminaire not included.

For further information go to [urbidermis.com](http://urbidermis.com)

**Finishes**



\*The colours shown are merely indicative and may differ from reality. (Other colours on request)  
 \*\*Request finishes for marine environments.

**Weight kg [lb] (unpacked)**

- CLF03 + CLF03: 11 [24.25].
- CLF03 + CLF04: 14 [30.86].
- CLF04 + CLF04: 17 [37.48].
- CLF04 + CLF05: 21 [46.30].

Headquarters Parc de Belloch  
 Ctra. C-251, Km 5,6  
 E-08430 La Roca (Barcelona, Spain)  
 +34 938 619 100

Warehouse  
 Carrer del Fou. Polígono Industrial Sud  
 E-08440 Cardedeu (Barcelona, Spain)  
 +34 938 619 182

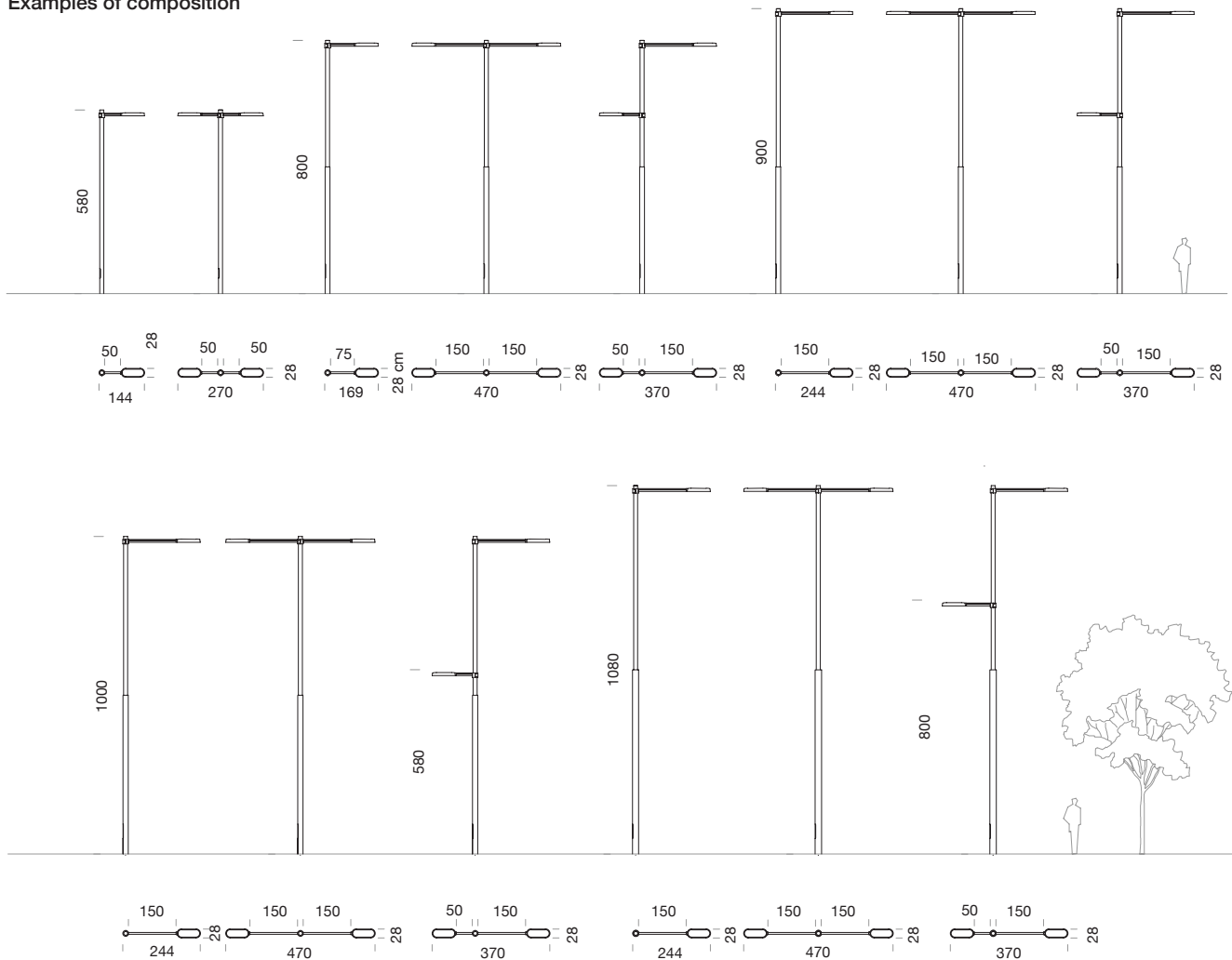


# Candela Pole

Gonzalo Milá. 2009

Urbidermis

## Examples of composition



Sizes in cm

## Materials

Cylindrical tube S-275 JR Class 1 steel poles of one or two sections depending on height, hot-dip galvanised steel primed and painted finished. Steel bolts (275) zinc-plated.

## Installation

The pole is installed using a concrete cube, with a groove for the wiring and anchor bolts, 20 cm [7.9 in] below the pavement level. Installation template and pole anchor bolts included.

For more information go to [urbidermis.com](http://urbidermis.com)

### Bolts

(4x) M18 x 500

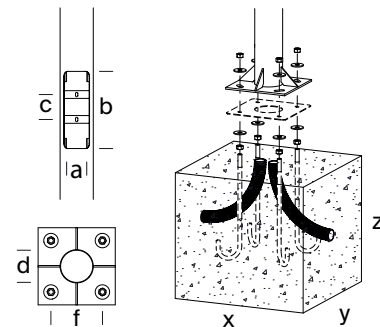
### Distance between bolts

Poles: 6,0 [20 in]

Base: 210 x 210 mm [8 x 8 in]

Poles: 8,2 [27 in] / 9,2 [30 in]

Base: 300 x 300 mm [12 x 12 in]



# Candela Pole

Gonzalo Milá. 2009

Urbidermis

Reference	Total height (m) [ft]	Visible height (m) [ft]	Outer diameter (mm) [in] (D)	Thickness (mm) [in]	Base plate (mm) [in]	Spacing between bolts (mm) [in]	Bolts (x4) (F)	N° Doors	Door (a/b/c) (mm) [in]	Foundation (x/y/z) (mm) [in]	N° Luminaires accepted
RAF21P	6 [20]	5,8 [19]	Ø 127 [5]	3 [0.118]	300x300x10 [12x12x0.39]	210x210 [8.26 x 8.26]	M18x500	1	83/300/97 [3/12/4]	650x650x600 [26x26x24]	1/2
RAF51P	8,2 [27]	8,0 [26]	Ø 127 [5] Ø 152 [6]		400x400x10 [16x16x0.39]	300x300 [12x12]			102/450/118 and 182 [4/18/5 and 7]	900x900x700 [35x35x28]	
RAF62P	9,2 [30]	9,0 [30]	Ø 127 [5] Ø 152 [6]								
RAF81P					10,2 [33]	10,0 [33]			Ø 127 [5] Ø 168 [7]	5 [0.20]	1200x1200x1000 [47x47x39]
RAF85P	400x400x10 [16x16x0.39]	300x300 [12x12]									
CNF21P			11,8 [39]	11,60 [38]							
CNF22P	11,8 [39]	11,60 [38]									
CNF31P			11,8 [39]	11,60 [38]							
CNF32P	11,8 [39]	11,60 [38]									

\*Recomendations: for calculation in ground type II (according to UNE-40) and wind speed of 29 m/s, with soil formed by loose or wet dirt or sand of medium compactness ( $E_0 = 4800 \text{ KN/m}^2$ ), with HM-20 concrete. Non-binding information. We advise to carry out checks for each situation.

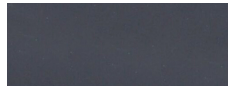
## Finishes



Light grey



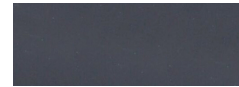
Medium grey



Dark grey



Aluminum silver (US only)



Dusk (US only)

\*The colours shown are merely indicative and may differ from reality. (Other colours on request)

\*\*Request finishes for marine environments.

Headquarters Parc de Belloch  
Ctra. C-251, Km 5,6  
E-08430 La Roca (Barcelona, Spain)  
+34 938 619 100

Warehouse  
Carrer del Fou. Polígono Industrial Sud  
E-08440 Cardedeu (Barcelona, Spain)  
+34 938 619 182



Sistema de Gestión  
ISO 9001:2015  
ISO 14001:2015  
www.tuv.com  
© TÜV Rheinland