

# Finisterre Pathway light

Joan Gaspar, Lluís Porqueras. 1992

Urbidermis



CE RoHS



## Materials

Body and cover made from cast iron with anti-rust protection, primed and painted in black oxiron. Highly resistant polyethylene diffuser with a shaded interior finish.

## Installation

The element comes with two types of anchoring: recessed and surface mounted. Recessed anchoring 15 cm below pavement level by means of three steel bolts with anti-rust protection inserted into holes bored beforehand, with a groove for the power connection, filled with epoxy resin, quick-dry cement or similar. Surface anchoring by means of three stainless steel screws.

The element is supplied assembled. Instructions, screws, template and anchor bolts included.

For more information log onto [urbidermis.com](http://urbidermis.com)

## Standards

UNE-EN 60529, UNE-EN 60598, UNE-EN 55015, UNE-EN 61000, UNE-EN 50102, UNE-EN 62031.

CE marked lighting system made by a laboratory certified by ENAC.

IP66 (the electrical components are protected from dust ingress and high-pressure water jets), IK08 (protection against external mechanical impacts).

### Electrical Class

Class I (CE)

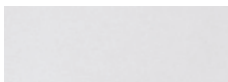
## Finishes

### Structure



Black oxiron

### Diffuser



Shaded polyethylene

\*The colours shown are merely indicative and may differ from reality. (Other colours available to order)

\*\*Consult finishes for marine environments.

## Weight kg [lb] (unpacked)

45 [99.20].

**Technical information**

High-efficiency optical unit with 4 LEDs.

Nominal lamp power (W)  
5  
System power (W)  
6  
Operating current (mA)  
350  
Colour temperature (K)  
3000 CRI min80

Power supply  
Constant current driver  
Operating voltage  
220-240V 50-60Hz (CE)  
Recommended wire  
0,6/1 kV 3x2,5mm<sup>2</sup>  
Lifetime  
TM21 L70 (10k) > 60.000 h. Thanks to an optimised thermal design, the luminous flux is maintained up to 70% after 60.000 h.

**Lighting distribution**

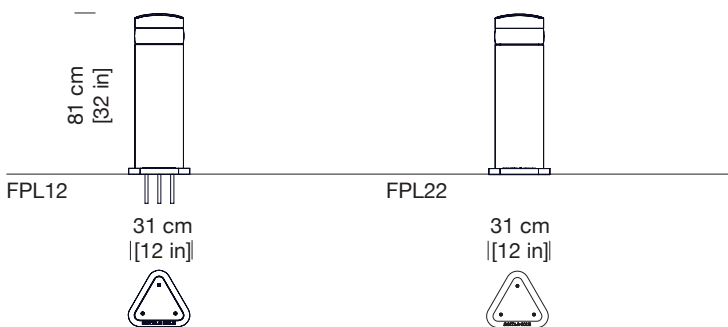
Ground washer



Area beam

Reference	N° LEDs	Color T° (K)	Current (mA)	Lamp power (W)	System power (W)	Luminaire luminous flux (lm)	Efficacy (lm/W)
FPL12	4	3000 IRC min 80	350	5	6	86	14,3
FPL22							

\*Recomendations: for calculation in ground type II (according to UNE-40) and wind speed of 29 m/s, with soil formed by loose or wet dirt or sand of medium compactness ( $E_0 = 4800 \text{ KN/m}^2$ ), with HM-20 concrete. Non-binding information. We advise to carry out checks for each situation.



Headquarters Parc de Belloch  
Ctra. C-251, Km 5,6  
E-08430 La Roca (Barcelona, Spain)  
+34 938 619 100

Warehouse  
Carrer del Fou. Polígono Industrial Sud  
E-08440 Cardedeu (Barcelona, Spain)  
+34 938 619 182

