

# Fontana Litterbin

Antoni Arola. 2001

Urbidermis



## Materials

Body and cover made of cast aluminium painted. Profile structure in AISI 304 stainless steel sandblasted finish. Inner tray made of black fiberglass reinforced with polyester.

## Installation and maintenance

Anchored using eight expansion anchors, 9 cm [3.54 in] below the ground. Delivered assembled and packaged. Instructions, screws and expansion plugs are included. No functional maintenance is required, others than standard cleaning. For further information log onto [urbidermis.com](http://urbidermis.com)

## Standards

ISO 12944, UNE-EN 1706, UNE EN 573.

## Finishes

### Body and lid



Light grey

### Structure



Polished

### Inner tray



Black

\*The colours shown are merely indicative and may differ from reality. (Other colours available to order)

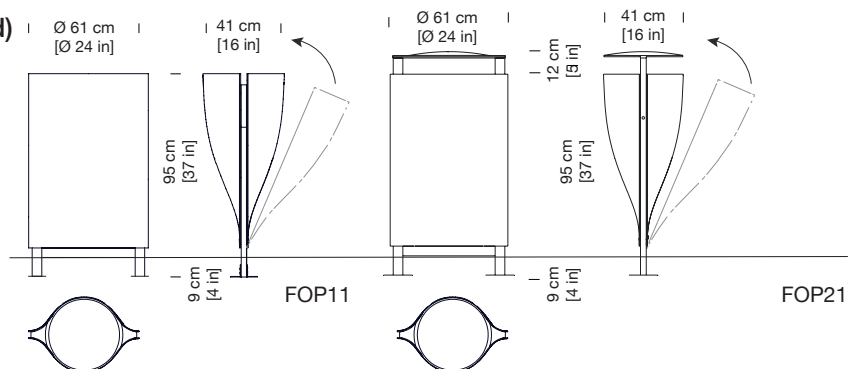
\*\*Consult finishes for marine environments.

## Capacity (l). Weights kg [lb] (unpacked)

42.

Litterbin without lid: 27 [59.52]

Litterbin with lid: 31 [68.34]



Headquarters Parc de Belloch  
Ctra. C-251, Km 5,6  
E-08430 La Roca (Barcelona, Spain)  
+34 938 619 100

Warehouse  
Carrer del Fou. Polígono Industrial Sud  
E-08440 Cardedeu (Barcelona, Spain)  
+34 938 619 182



Sistema de Gestión  
ISO 9001:2015  
ISO 14001:2015  
www.urbidermis.com  
ID: 890002291