

LAMPELUNAS

streetlamp

ELIAS TORRES

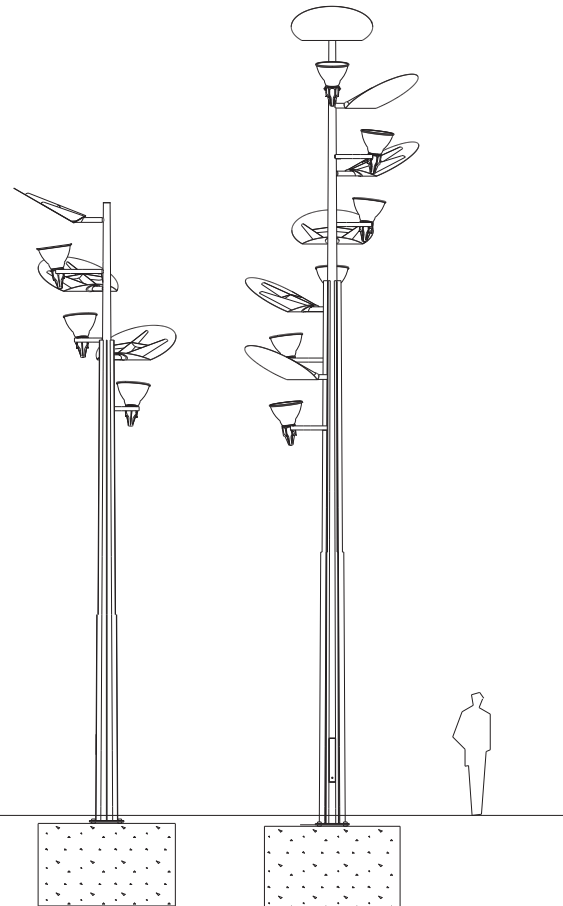
JOSE A. MARTINEZ LAPEÑA, 1986

THREADED ROD M27x800 - PER02 (x4)

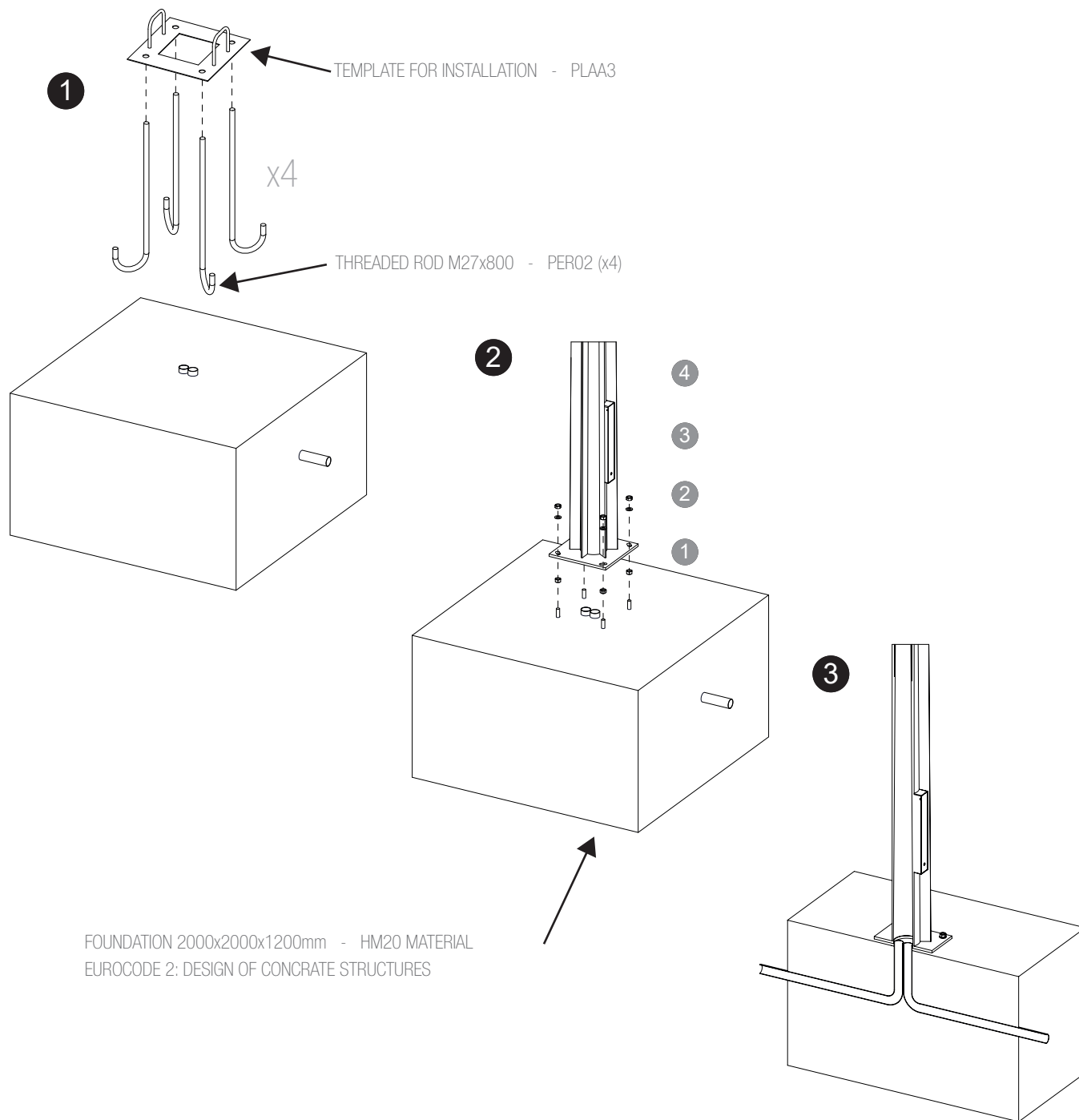
TEMPLATE FOR INSTALLATION - PLAA3

FOUNDATION 2000x2000x1200mm - HM20 MATERIAL

EUROCODE 2: DESIGN OF CONCRATE STRUCTURES



LAMPELUNAS streetlamp



Threaded rods are installed at 45°.

Corrugated tube is supplied and is chosen by electrical installer. (EN-50086)

Santa&Cole supplies 1 unit of a template for the installation of the threaded rods (1 for project).

1 Remove the template.

2 Install the levelling nuts.

3 Install the column.

4 Tight nuts and washers.

LAMPELUNAS 9,00M AND 12,00M TEMPLATE

