

# Lampelunas Streetlight

Elías Torres, José A. Martínez Lapeña. 1986

Urbidermis



CE RoHS



## Materials

Reflective shades made of zinc-plated and primed steel, with paint finish. Cast aluminium revolving floodlights with paint finish, spun aluminium reflector and tempered optical glass diffuser. Fastening bracket made of galvanised steel. Tapered pole, 9 m [30 ft] or 12 m [39 ft] high, made of hot-dip galvanised steel and painted, reinforced with 5 mm [0.19 in] thick gussets from the base.

## Installation

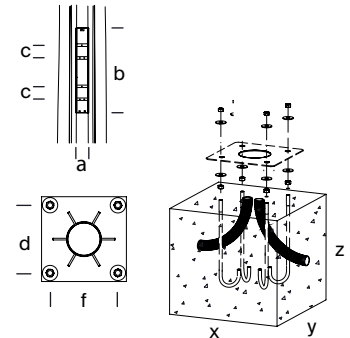
The pole is fixed using a concrete cube, with groove for wiring, made on-site and four pole anchor bolts, 20 cm [7.87 in] below the pavement surface.

The element is delivered disassembled in four parts: pole, structure, brace and floodlights. Instructions, screws, template and pole anchor bolts are included.

\*Recommendations: for calculation in ground type II (according to UNE-40) and wind speed of 29 m/s, with soil formed by loose or wet dirt or sand of medium compactness ( $E_0 = 4800 \text{ KN/m}^2$ ), with HM-20 concrete.

Non-binding information. We advise to carry out checks for each situation.

For further information log onto [urbidermis.com](http://urbidermis.com)



## Standards

UNE-EN 60529, UNE-EN 60598, UNE-EN 55015, UNE-EN 61000, UNE-EN 50102, UNE-EN 62031.

CE marked lighting system made by a laboratory certified by ENAC.

IP66 (the electrical components are protected from dust ingress and high-pressure water jets)

IK08 (protection against external mechanical impacts).

Electrical Class

Class I (CE)

## Finishes

### Luminaire



Blue RAL 5023

### Shade



White

### Pole



Light grey

\*The colours shown are merely indicative and may differ from reality. (Other colours available to order)

\*\*Consult finishes for marine environments.

## Weights (kg) [lb]

9 m: 600 [1322.77] / 12 m: 870 [1918.02]

# Lampelunas Streetlight

Elías Torres, José A. Martínez Lapeña. 1986

Urbidermis

## Technical information

High-efficiency optical unit with COB.

### Nominal lamp power (W)

3 COB: 3x70

6 COB: 6x70

### System power (W)

3 COB: 3x89

6 COB: 6x89

### Operating current (mA)

1700

### Colour temperature (K)

3000 CRI min80

### Power supply

Constant current driver

### Operating voltage

220-240V 50-60Hz (CE)

## Regulation

1-10V / DALI / Header flux regulation / Programmable automatic regulation.

The LED luminaire may be regulated using a number of differing interfaces. These controls allow specific, individual control of light, reducing energy consumption in a sustainable manner. Constant light output (clo) Assures a constant lumen output from the luminaire throughout its lifetime.

### Recommended wire

0,6/1 kV 3x2,5mm<sup>2</sup> / 0,6/1 kV 5x1,5mm<sup>2</sup> (prog.)

### Temperature operating range (°C)

Ta 30.

### Lifetime

TM21 L70 (10k) > 60.000 h.

Thanks to an optimised thermal design, the luminous flux is maintained up to 70% after 60.000 h.

## Light distribution

Asymmetric



Widespot

### Upper Light Output Ratio (FHS%):

45.

### Asymmetric

Widespot

LOR 20,19%

ULOR 0%±3%

Max. intensity 564,74 cd/klm

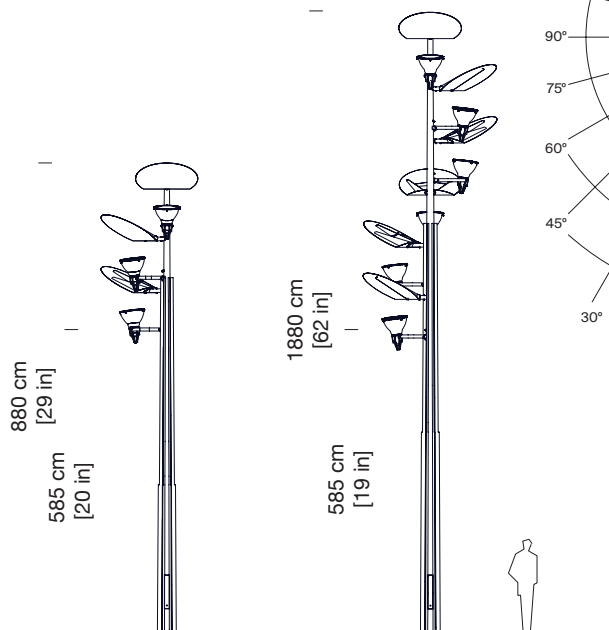
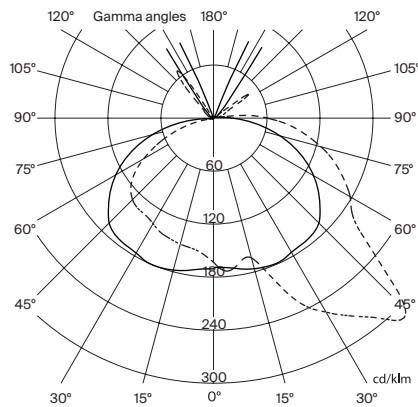
(C=30°, G=60°)

C Halfplanes

0° 180°

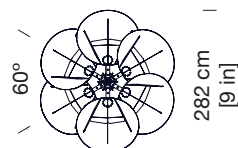
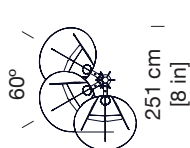
90° 270°

22.5° 157.5°



2 LLFL02 + LLF21P

LLFL02 + LLF11P



Headquarters Parc de Belloch  
Ctra. C-251, Km 5,6  
E-08430 La Roca (Barcelona, Spain)  
+34 938 619 100

Warehouse  
Carrer del Fou. Polígono Industrial Sud  
E-08440 Cardedeu (Barcelona, Spain)  
+34 938 619 182

