

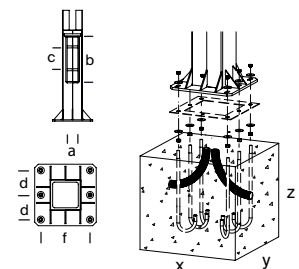


Materials

Shaft made of corten steel, 7 m [23 ft] high, with upper rectangular cross-section base and a forked cross-section. It can be delivered in galvanized steel and painted. Floodlight support made of stainless-steel tube, with rectangular cross-section for five revolving floodlights. Brace made of round hot-dip galvanized steel tube. Directional Arne floodlights. The joints between base, tie and support are made of stainless steel.

Installation

The pole is fixed using a concrete cube, with groove for wiring, made on-site and four pole anchor bolts, 24 cm [9 in] below the pavement surface. The element is delivered disassembled in four parts: pole, structure, brace and floodlights. Instructions, screws, template and pole anchor bolts are included.
 *Recommendations: for calculation in ground type II (according to UNE-40) and wind speed of 29 m/s, with soil formed by loose or wet dirt or sand of medium compactness ($E_0 = 4800 \text{ KN/m}^2$), with HM-20 concrete. Non-binding information.
 We advise to carry out checks for each situation.



For further information log onto urbidermis.com

Standards

UNE-EN 60529, UNE-EN 60598, UNE-EN 55015, UNE-EN 61000, UNE-EN 50102, UNE-EN 62031.
 CE marked lighting system made by a laboratory certified by ENAC.
 IP66 (the electrical components are protected from dust ingress and high-pressure water jets)
 IK08 (protection against external mechanical impacts).

Electrical Class

Class I (CE)

Finishes

Luminaire



Light grey

Pole



Corten

Brace



Galvanized

Joints



Inoxydable

*The colours shown are merely indicative and may differ from reality. (Other colours available to order)

**Consult finishes for marine environments.

Weight kg [lb] (unpacked)

895 [1973.14].

Technical information

High-efficiency optical unit with 36 LEDs

Nominal lamp power (W)

50

System power (W)

56

Operating current (mA)

500

Colour temperature (K)

3000 CRI min80

Power supply

Constant current driver

Operating voltage

220-240V 50-60Hz (CE)

Recommended wire

0,6/1 kV 3x2,5mm² / 0,6/1 kV 5x1,5mm² (prog.)

Regulation

1-10V / DALI / Header flux regulation / Programmable automatic regulation.

The LED luminaire may be regulated using a number of differing interfaces. These controls allow specific, individual control of light, reducing energy consumption in a sustainable manner. Constant light output (clo) Assures a constant lumen output from the luminaire throughout its lifetime.

Temperature operating range (°C)

30.

Lifetime

TM21 L70 (10k) > 60.000 h.

Thanks to an optimised thermal design, the luminous flux is maintained up to 70% after 60.000 h.

Power factor (cos Φ):

N° LEDs	Current (mA)	P (W) 100%, CLO 80%
36	500	0.97

Light distributions

Symmetric

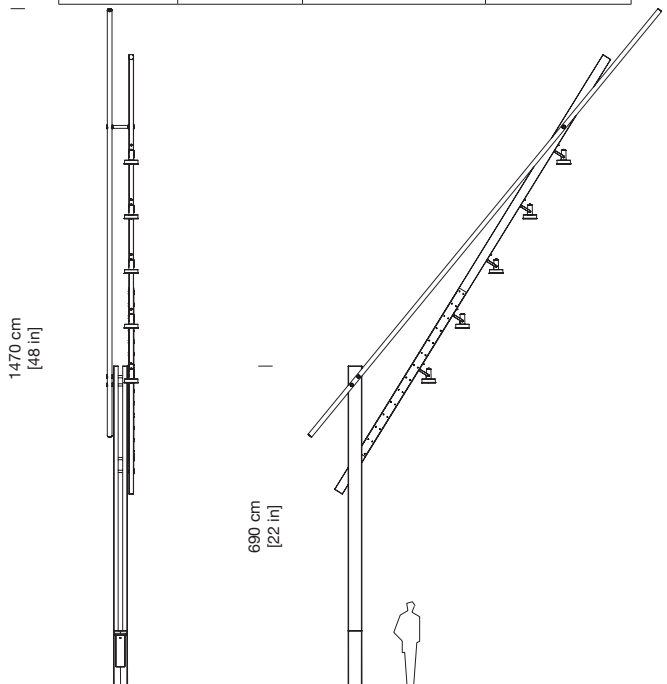
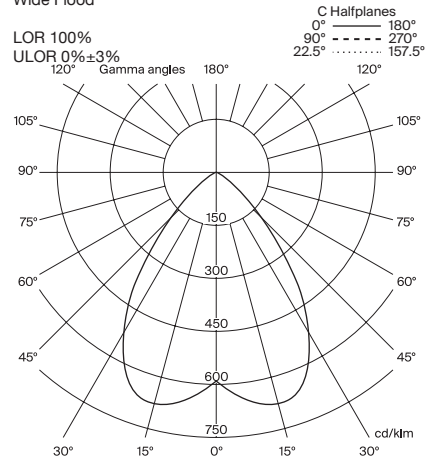


Wideflood

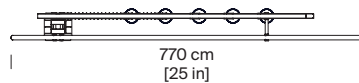
Reference	LED n°	Luminaire flux (lm)	Efficacy (lm/W)
ARP36B1xx	36	5805	104

Symmetric Wide Flood

Max. intensity 677.34 cd/klm (C=30°, G=60°)



LTFL15



Headquarters Parc de Belloch
Ctra. C-251, Km 5,6
E-08430 La Roca (Barcelona, Spain)
+34 938 619 100

Warehouse
Carrer del Fou. Polígono Industrial Sud
E-08440 Cardedeu (Barcelona, Spain)
+34 938 619 182



Sistema de Gestión
ISO 9001:2015
ISO 14001:2015
www.tuv.com
© 2009/2021