



Materials

A hinged lid made from an AISI 316 electro-polished stainless steel plate with a lock. Body made from an AISI 304 electro-polished expanded stainless steel plate. 60 l or 80 l cylindrical tray in black polypropylene. Optional stainless steel ashtray on the top for the 80 l bin. The basin-free version comes with rings for easy bag placement.

Installation and maintenance

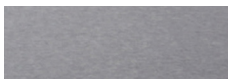
The element is installed and levelled by means of three threaded rod legs inserted into holes bored into the pavement, filled with epoxy resin, quick-dry cement or similar. The element is supplied assembled and packaged. Instructions included. No maintenance required, except for cleaning and regular emptying. For further information log onto urbidermis.com

Standards

EN 10088, UNE EN-1090, ISO 1127, UNE-EN 12329.

Finishes

Structure



Electropolished

Cylindrical tray



Black

*The colours shown are merely indicative and may differ from reality. (Other colours available to order)

**Consult finishes for marine environments.

Capacities (l)

60, 80.

Weights kg [lb] (unpacked)

80 l litterbin

Structure: 12 [26.46]

Container: 4 [8.82]

With two 40 l containers: 12 [26.46]

Container: 2 [4.41]

Structure for bag: 12 [26.46]

60 l litterbin

Structure: 9 [19.84]

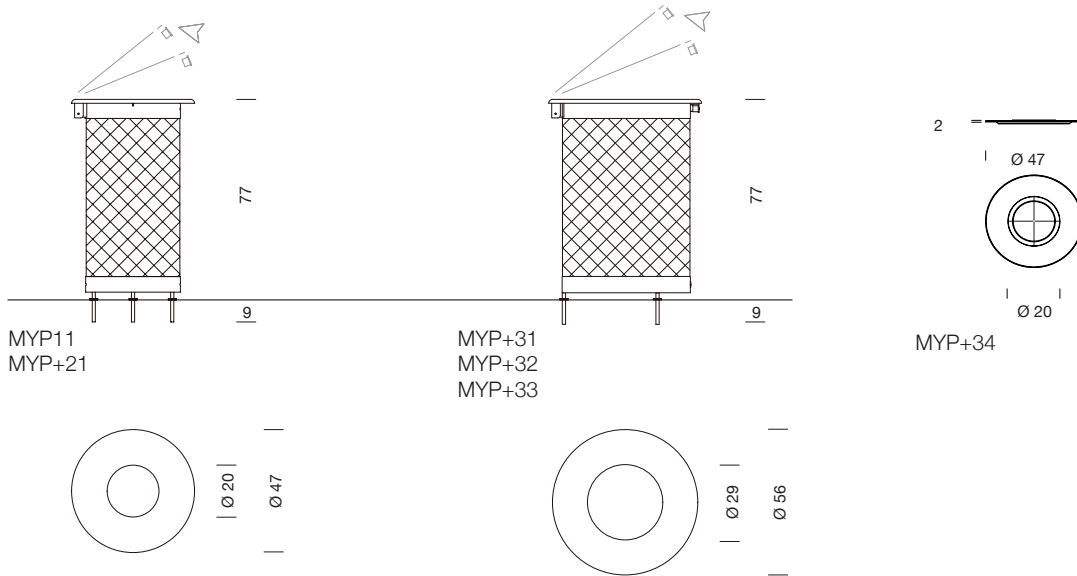
Structure for bag: 9 [19.84]

Container: 1.8 [3.97]

Maya Litterbin

Antoni Rosselló. 2002

Urbidermis



Headquarters Parc de Belloch
Ctra. C-251, Km 5,6
E-08430 La Roca (Barcelona, Spain)
+34 938 619 100

Warehouse
Carrer del Fou. Polígono Industrial Sud
E-08440 Cardedeu (Barcelona, Spain)
+34 938 619 182



Dimensions in cm