



Materials

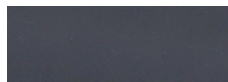
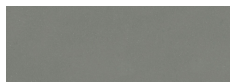
Accessory for installing two luminaires on a Ø 127 mm [5 in] pole. It allows the orientation of the Slope luminaire.
Primed and powder coated injected aluminum bracket EN AC-47100. Primed and powder coated injected aluminium support. Stainless steel screws AISI304.

Installation

Fix the accessory to the pole and subsequently the luminaire to the accessory. The accessory is delivered disassembled. Instructions and screws included. *Luminaire not included.

For further information go to urbidermis.com

Finishes



Light grey

Medium grey

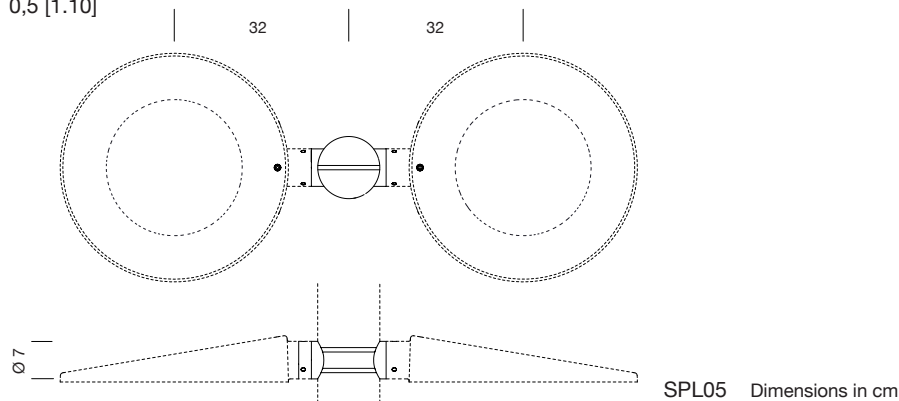
Dark grey

*The colours shown are merely indicative and may differ from reality. (Other colours on request)

**Request C5 finishes for marine environments

Weight kg [lb] (unpacked)

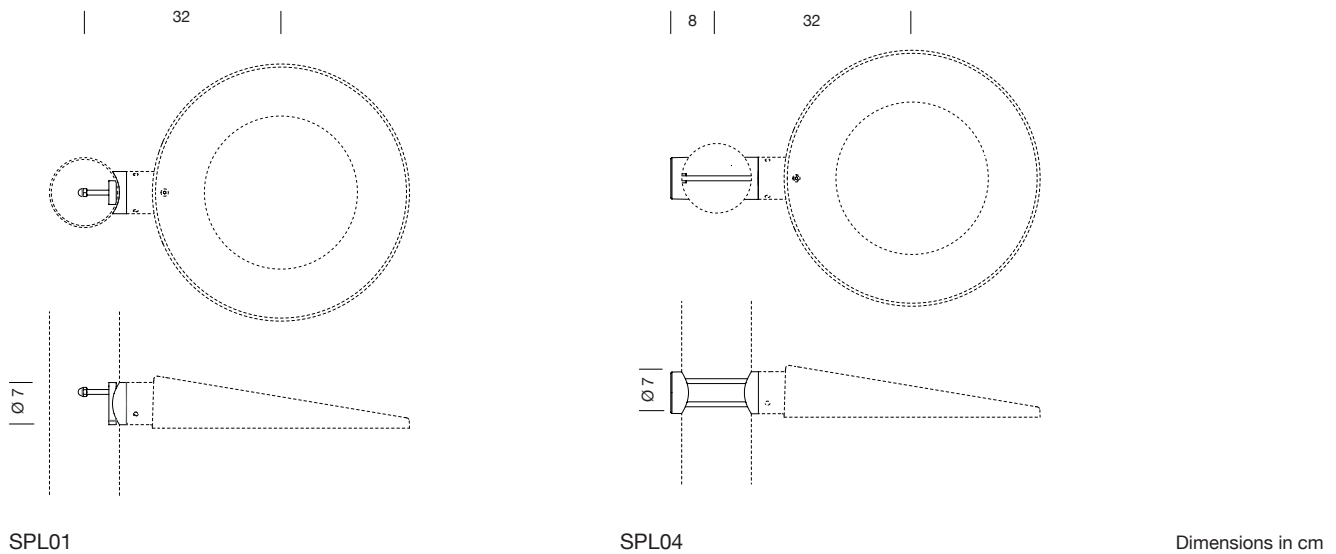
0,5 [1.10]



Headquarters Parc de Belloch
Ctra. C-251, Km 5,6
E-08430 La Roca (Barcelona, Spain)
+34 938 619 100

Warehouse
Carrer del Fou, Polígono Industrial Sud
E-08440 Cardedeu (Barcelona, Spain)
+34 938 619 182





Materials

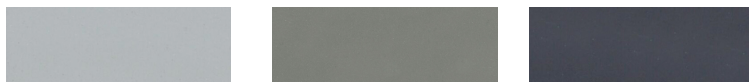
Accessories for the installation of a luminaire in a Ø127mm [5 in] pole. The SLP01 accessory allows the installation of a column luminaire with individual fixation, the SLP04 accessory allows the installation of a column luminaire with individual retrofit fixation. Primed and powder coated injected aluminium support. Stainless steel screws AISI304.

Installation

Fix the accessory to the pole and subsequently the luminaire to the accessory.
 The accessory is delivered disassembled. Instructions and screws included.
 *Luminaire not included.

For further information go to urbidermis.com

Finishes



Light grey

Medium grey

Dark grey

*The colours shown are merely indicative and may differ from reality. (Other colours on request)

**Request C5 finishes for marine environments

Weight kg [lb] (unpacked)

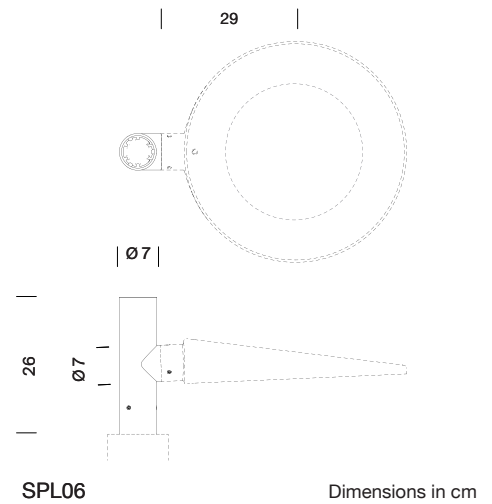
Single pole attachment: 0,3 [0.66]

Retrofit single pole attachment: 0,4

Sede Parc de Belloch
 Ctra. C-251, Km 5,6
 E-08430 La Roca (Barcelona, España)
 +34 938 619 100

Almacén
 Carrer del Fou. Polígono Industrial Sud
 E-08440 Cardedeu (Barcelona, España)
 +34 938 619 182





Materials

Accessories for the installation of a luminaire to a top pole column with a Ø50mm sleeve. Injected aluminum bracket EN AC-47100 primed and powder painted finish. AISI304 stainless steel hardware.

Installation

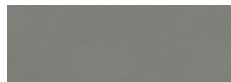
Fix the accessory to the pole and subsequently the luminaire to the accessory.
The accessory is delivered disassembled. Instructions and screws included.
*Luminaire not included.

For further information go to urbidermis.com

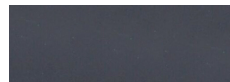
Finishes



Light grey



Medium grey



Dark grey

*The colours shown are merely indicative and may differ from reality. (Other colours on request)

**Request C5 finishes for marine environments.

Weights kg [lb] (unpacked)

Single pole attachment: 0,3 [0.66]

Retrofit single pole attachment: -

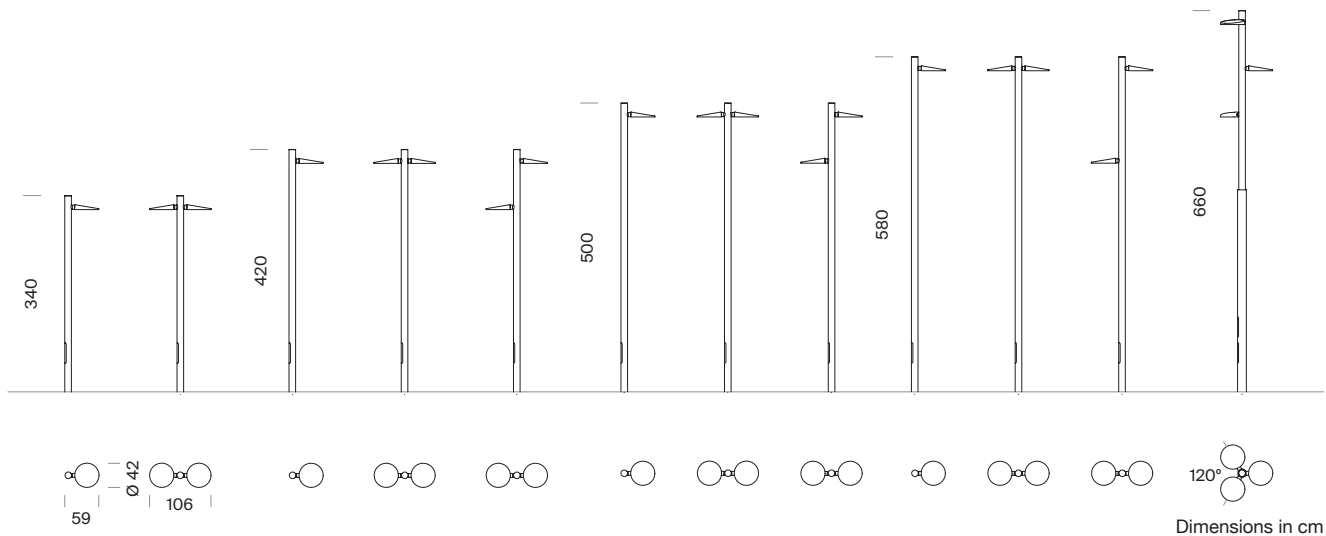
Top pole attachment: 0,9 [1.98]

Headquarters Parc de Belloch
Ctra. C-251, Km 5,6
E-08430 La Roca (Barcelona, Spain)
+34 938 619 100

Warehouse
Carrer del Fou. Polígono Industrial Sud
E-08440 Cardedeu (Barcelona, Spain)
+34 938 619 182



Composition examples

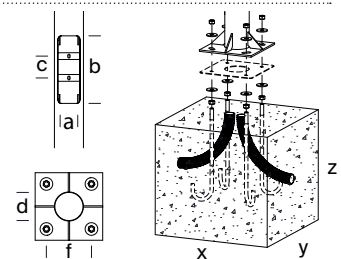


Materials

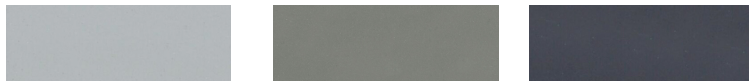
Cylindrical tube S-275 JR Class 1 steel poles of one or two sections depending on height, hot-dip galvanised and primed painted steel. 3.60 m [12 ft], 4.4 m [14ft] / 5.2 m [17 ft] / 6.0 m [20 ft] high, one section section Ø 114.3 mm [5 in] circular; 6.80 m [22 ft] high, with two sections with a circular section at the top of Ø 114.3 mm [5 in] and the bottom of Ø 152 mm [6 in]. Steel bolts (275) zinc-plated.

Installation

The pole is installed using a concrete socket, with a slot for the wiring, and anchor bolts, 20 cm [8 in] below the level of the pavement.



Finishes



Light grey

Medium grey

Dark grey

*The colours shown are merely indicative and may differ from reality. (Other colours on request)

**Request C5 finishes for marine environments.

Standards

Regulation 305/2011/EU, UNE-EN 40, UNE-EN-ISO 1461

| Reference | Total height (m) [ft] | Visible height (m) [ft] | Outer sizes (mm) [in] (d) | Thickness (mm) [in] | Base plate (mm) [in] | Spacing between bolts (mm) [in] | Bolts (x4) (f) | N° Doors | Door (mm) [in] (a/b/c) | Foundation (mm) [in] (x/y/z) | N° Luminaires allowed |
|-----------|-----------------------|-------------------------|---------------------------|---------------------|----------------------|---------------------------------|----------------|----------|------------------------|------------------------------|-----------------------|
| SPF11P | 3.6 | 3.4 | Ø 114.3 | 3 | 300x300x10 | 210x210 | M18x500 | 1 | 83x350x105 | 600x600x500 | 1 |
| SPF13P | | | | | | | | | | | 2 |
| SPF21P | 4.4 | 4.2 | | | | | | | | 600x600x600 | 1 |
| SPF22P | | | | | | | | | | | 2 |
| SPF23P | | | | | | | | | | | 2 |
| SPF31P | 5.2 | 5.0 | | | | | | | | 700x700x600 | 1 |
| SPF32P | | | | | | | | | | | 2 |
| SPF33P | | | | | | | | | | | 2 |
| SPF41P | 6.0 | 5.8 | | | | | | | | 700x700x700 | 1 |
| SPF42P | | | | | | | | | | | 2 |
| SPF51P | 6.8 | 6.6 | Ø 114.3 Ø 152 | | 400x400x10 | 300x300 | | 2 | 118x450x105 | 800x800x700 | 3 |

Installation template and anchor bolts included.

*Recommendations: for calculation in ground type II (according to UNE-40) and wind speed of 29 m/s, with soil formed by loose or wet dirt or sand of medium compactness ($E_0 = 4800 \text{ KN/m}^2$), with HM-20 concrete. Non-binding information. We advise to carry out checks for each situation. For further information go to urbidermis.com

Headquarters Parc de Belloch
Ctra. C-251, Km 5,6
E-08430 La Roca (Barcelona, Spain)
+34 938 619 100

Warehouse
Carrer del Fou. Polígono Industrial Sud
E-08440 Cardedeu (Barcelona, Spain)
+34 938 619 182

