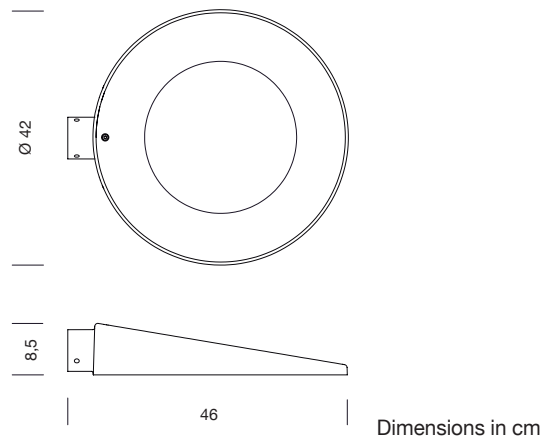


# Slope Luminaire

Industrial Facility, 2017

Urbidermis



CE RoHS    

## Materials

Aluminum injection luminaire EN AC-47100 with paint finish. ABS injection interior reflector. Tempered optical glass diffuser.

## Installation

Slope luminaires feature a variety of fixing accessories for different columns or surfaces. The luminaire is supplied in two components: the luminaire and the accessory. Instructions and screws included.

For further information go to [urbidermis.com](http://urbidermis.com)

## Standards

UNE-EN 60529, UNE-EN 60598, UNE-EN 55015, UNE-EN 61000, UNE-EN 50102, UNE-EN 62031, UL 1598, UL 8750, (file E-505192).

IP66 (protection from dust ingress and high-pressure water jets), Suitable for wet locations.

IK08 (protection against external mechanical impacts).

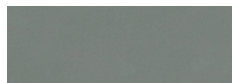
Electrical Class

Class I (CE)

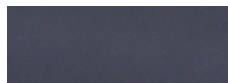
## Finishes



Light grey



Medium grey



Dark grey

\*The colours shown are merely indicative and may differ from reality. (Other colours on request)

\*\*Request finishes C5 for marine environments

## Weight kg [lb] (unpacked)

6 [13.23]

## Surface exposed to wind (m<sup>2</sup>)

0.02

**Technical information**

High-efficiency optical unit with 18 and 36 LEDs

**Nominal lamp power (W)**

18 LEDs: 18 / 26 / 36

36 LEDs: 36 / 51 / 72

**System power (W)**

18 LEDs: 22 / 32 / 42

36 LEDs: 40 / 59 / 85

**Operating current (mA)**

350, 500, 700

**Colour temperature (K)**

3000 CRI min80, 4000 CRI min80

Other color temperatures and/or CRI available upon request.

**Power supply**

Constant current driver.

**Regulation**

1-10V / DALI / Header flux regulation / Programmable automatic regulation / Wireless connection through node to street lighting management platforms.

The LED luminaire may be regulated using a number of differing interfaces. These controls allow specific, individual control of light, reducing energy consumption in a sustainable manner. Constant light output (clo) Assures a constant lumen output from the luminaire throughout its lifetime.

**Power factor (cos Φ):**

| N° LEDs | Current (mA) | P (W) 100%, CLO 80% |
|---------|--------------|---------------------|
| 18      | 350          | 0.87                |
|         | 500          | 0.92                |
|         | 700          | 0.98                |
| 36      | 350          | 0.95                |
|         | 500          | 0.97                |
|         | 700          | 0.98                |

**Operating voltage**

220-240V 50-60Hz (CE)

120-277V 60Hz (UL)

**Recommended wire**

0,6-1kV - 5 x 1,5mm<sup>2</sup> (AWG18) / 3 x 2,5mm<sup>2</sup> (AWG16)

**Operating rated temperature (°C)**

Ta 30.

**Lifetime**

TM21 L90 (10k) > 100.000 h.

Thanks to an optimised thermal design, the luminous flux is maintained up to 90% after 100.000 h.

**Light distributions**

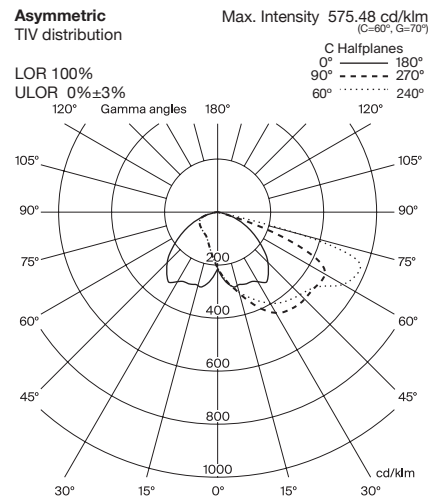
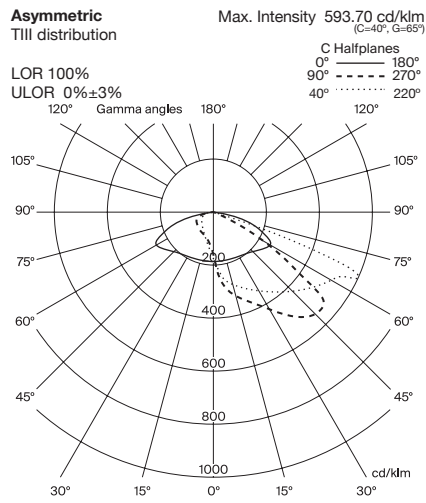
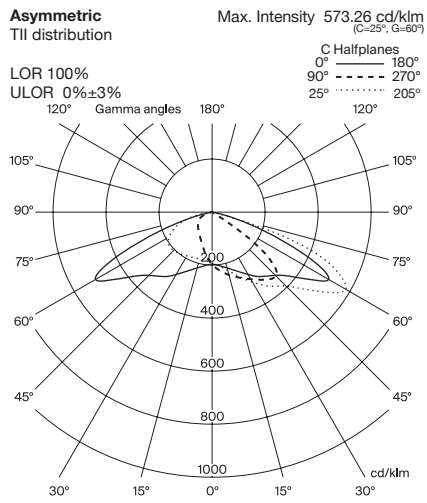
**Asymmetric**



**Upper Light Output Ratio (ULOR%)**

0.60-0.88

| Reference | N°LEDs | Color T° (K)   | Current (mA) | Lamp power (W) | System power (W) | IESNA TII                    |                 | IESNA TIII                   |                 | IESNA TIV                    |                 |
|-----------|--------|----------------|--------------|----------------|------------------|------------------------------|-----------------|------------------------------|-----------------|------------------------------|-----------------|
|           |        |                |              |                |                  | Luminaire luminous flux (lm) | Efficacy (lm/W) | Luminaire luminous flux (lm) | Efficacy (lm/W) | Luminaire luminous flux (lm) | Efficacy (lm/W) |
| SPL18A1xx | 18     | 3000 CRI min80 | 18           | 22             | 350              | 2039                         | 93              | 1949                         | 90              | 2036                         | 93              |
| SPL18B1xx |        |                | 26           | 32             | 500              | 2738                         | 86              | 2617                         | 88              | 2869                         | 90              |
| SPL18C1xx |        |                | 36           | 42             | 700              | 3613                         | 86              | 3453                         | 86              | 3714                         | 88              |
| SPL18A2xx |        | 4000 CRI tip70 | 18           | 22             | 350              | 2398                         | 109             | 2292                         | 107             | 2402                         | 109             |
| SPL18B2xx |        |                | 26           | 32             | 500              | 3220                         | 101             | 3077                         | 103             | 3384                         | 106             |
| SPL18C2xx |        |                | 36           | 42             | 700              | 4249                         | 101             | 4061                         | 102             | 4382                         | 104             |
| SPL36A1xx | 36     | 3000 CRI min80 | 36           | 40             | 350              | 3954                         | 99              | 3779                         | 94              | 3855                         | 96              |
| SPL36B1xx |        |                | 51           | 59             | 500              | 5352                         | 91              | 5115                         | 89              | 5346                         | 91              |
| SPL36C1xx |        |                | 72           | 85             | 700              | 6922                         | 81              | 6615                         | 80              | 6922                         | 81              |
| SPL36A2xx |        | 4000 CRI tip70 | 36           | 40             | 350              | 4650                         | 116             | 4444                         | 111             | 4548                         | 114             |
| SPL36B2xx |        |                | 51           | 59             | 500              | 6294                         | 107             | 6015                         | 102             | 6307                         | 107             |
| SPL36C2xx |        |                | 72           | 85             | 700              | 8140                         | 96              | 7780                         | 92              | 8167                         | 96              |



**Headquarters Parc de Belloch**  
Ctra. C-251, Km 5,6  
E-08430 La Roca (Barcelona, Spain)  
+34 938 619 100

**Warehouse**  
Carrer del Fou, Polígono Industrial Sud  
E-08440 Cardedeu (Barcelona, Spain)  
+34 938 619 182

