



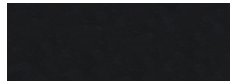
Materials

The individual accessory TML01 allows the installation of a luminaire on a pole Ø 114.3 mm. Bracket and fixings in die-cast aluminium powder coated and primed finish. Stainless steel screws. The TML05 vertical fitting allows the installation of one or two luminaires on a pole with multiple diameters (from Ø 114.3 mm to 150 mm). 6063-T5 aluminium extrusion bracket, powder-coated and primed finish. AISI304 stainless steel fixings. AISI304 stainless steel screws.

Installation

Fix the accessory to the pole and subsequently the luminaire to the accessory. The accessory is delivered disassembled. Instructions and screws included. *Luminaire not included. For further information go to urbidermis.com

Finishes



Light grey

Black

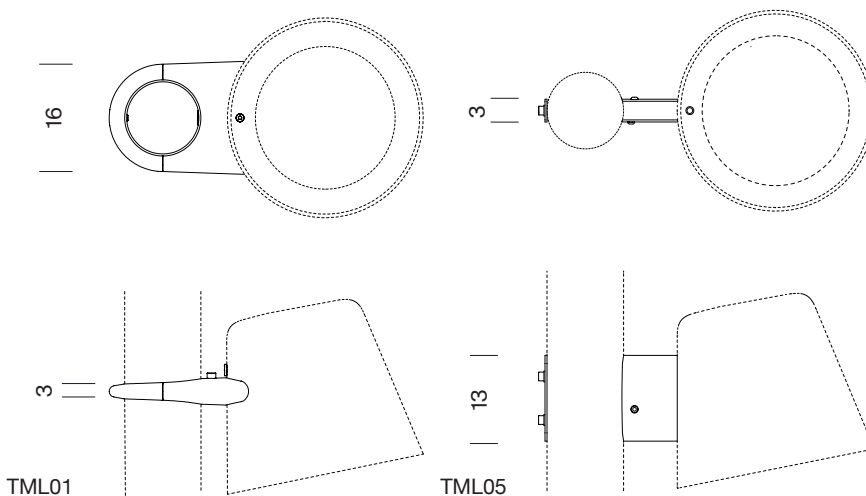
*The colours shown are merely indicative and may differ from reality. (Other colours on request)

**Request finishes for marine environments

Weights kg [lb] (unpacked)

Circular attachment: 0,8 [1.76]

Vertical attachment: 0,3 [0.66]



Headquarters Parc de Belloch
 Ctra. C-251, Km 5,6
 E-08430 La Roca (Barcelona, Spain)
 +34 938 619 100

Warehouse
 Carrer del Fou. Polígono Industrial Sud
 E-08440 Cardedeu (Barcelona, Spain)
 +34 938 619 182



Dimensions in cm



Materials

Accessory for installing two luminaires on a \varnothing 114,3 mm [5 in] and \varnothing 152 mm [6 in] poles. Primed and powder coated injected aluminum bracket. Primed and powder coated injected aluminium support. Stainless steel screws.

Installation

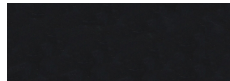
Fix the accessory to the pole and subsequently the luminaire to the accessory. The accessory is delivered disassembled. Instructions and screws included. *Luminaire not included.

For further information go to urbidermis.com

Finishes



Light grey



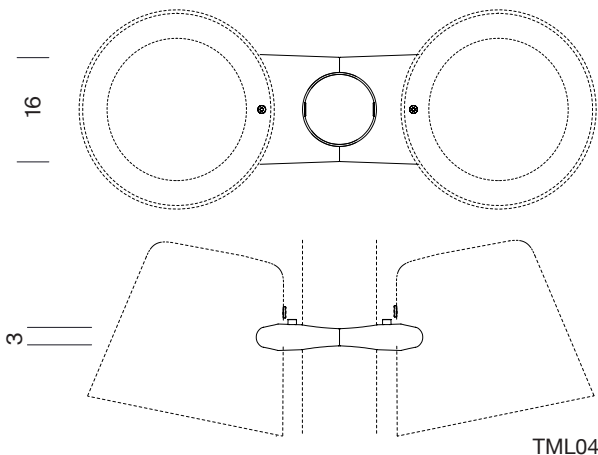
Black

*The colours shown are merely indicative and may differ from reality. (Other colours on request)

**Request finishes for marine environments

Weight kg [lb] (unpacked)

1,3 [2.87]



Headquarters Parc de Belloch
Ctra. C-251, Km 5,6
E-08430 La Roca (Barcelona, Spain)
+34 938 619 100

Warehouse
Carrer del Fou. Polígono Industrial Sud
E-08440 Cardedeu (Barcelona, Spain)
+34 938 619 182



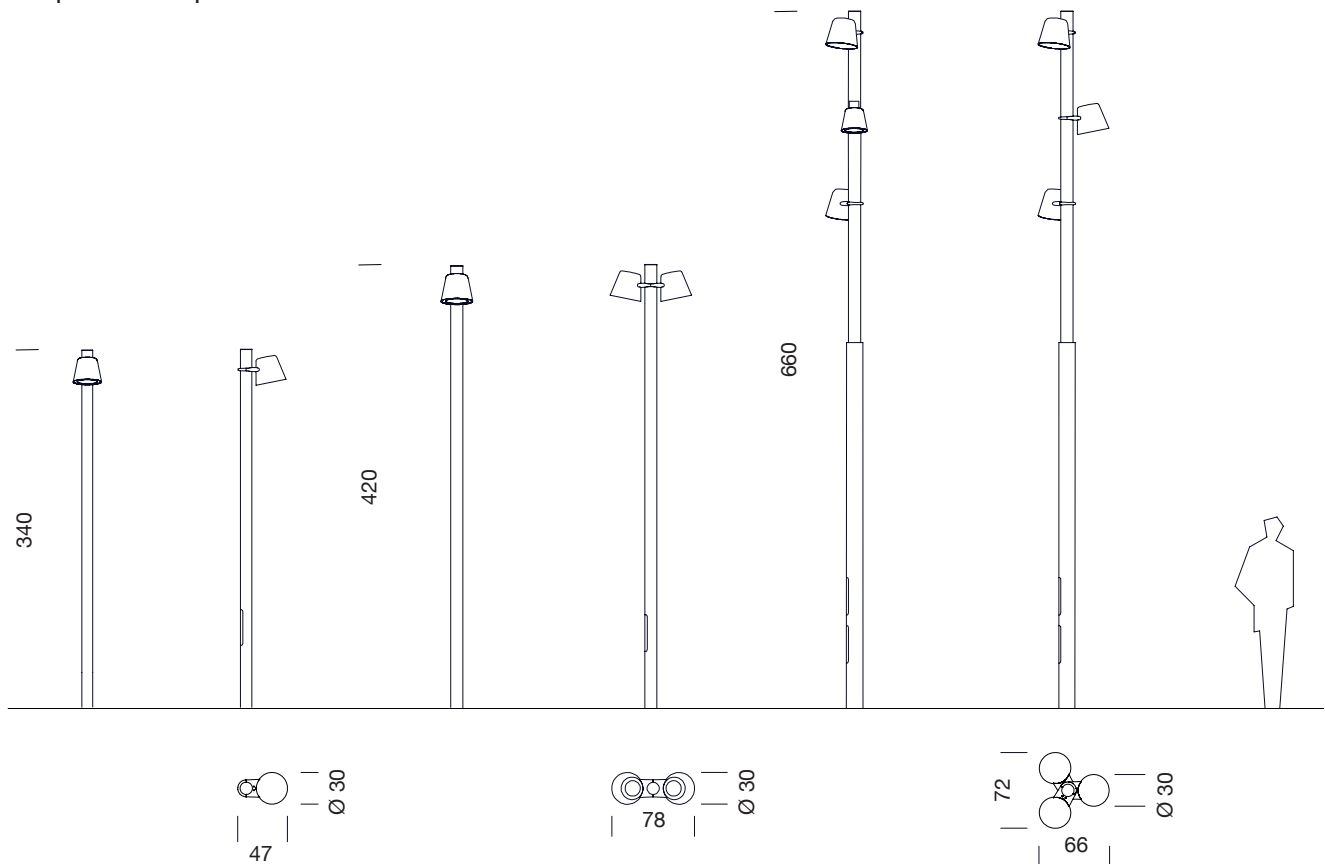
Dimensions in cm

Tumbler Poles

Industrial Facility, 2017

urbidermis

Composition examples



Materials

Cylindrical tube S-275 JR Class 1 steel poles of one or two sections depending on height, hot-dip galvanised and primed painted steel. 3.60 m, 4.40 m, 5.20 m [12 / 14 / 17 ft] one section section Ø 114.3 mm circular; 6.80 m [22 ft] high, with two sections with a circular section at the top of Ø 114.3 mm [5 in] and the bottom of Ø 152mm [6 in]. Steel bolts (275) zinc-plated.

Installation

The pole is installed using a concrete socket, with a slot for the wiring, and anchor bolts, 20 cm [8 in] below the level of the pavement.

Installation template and anchor bolts included.

*Recommendations: for calculation in ground type II (according to UNE-40) and wind speed of 29 m/s, with soil formed by loose or wet dirt or sand of medium compactness ($E_0 = 4800 \text{ KN/m}^2$), with HM-20 concrete. Non-binding information. We advise to carry out checks for each situation.

For further information go to urbidermis.com

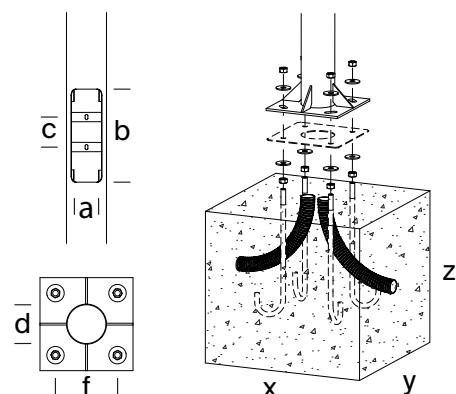
Bolts

(4x) M18 x 500 Poles: 3,6 / 4,4 / 5,2 [12 / 14 / 17 ft]

Distance between bolts
Base: 210 x 210 mm [8x8 in]

Poles: 6,8 m [22 ft]

Base: 300 x 300 mm [12 x12 in]



Dimensions in cm

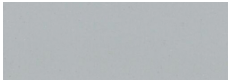
Tumbler Poles

Industrial Facility. 2017

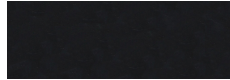
Urbidermis

Reference	Total height (m) [ft]	Visible height (m) [ft]	Outer sizes (mm) [in] (d)	Thickness (mm) [in]	Base plate (mm) [in]	Spacing between bolts (mm) [in]	Bolts (x4) (f)	N° Doors	Door (mm) [in] (a/b/c)	Foundation (mm) [in] (x/y/z)	N° Luminaires allowed
TMF11P	3.6 [12]	3.4 [11]	Ø 114.3 [5]	3 [0.12]	300x300x10 [12 x 12 x 1]	210x210 [8 x 8]	M18x500	1	68x350x105 [3 x 14 x 4]	650x650x600 [26 x 26 x 24]	1/2
TMF21P	4.4 [14]	4.2 [14]								800x800x700 [32 x 32 x 24]	
TMF31P	5.2 [17]	5.0 [16]									
TMF32P											
TMF41P	6.8 [22]	6.6 [22]	Ø 114.3 [5] Ø 152 [6]		400x400x10 [16 x 16 x 1]	300x300 [12 x 12]		2	102x450x105 [4 x 18 x 4]	900x900x700 [35 x 35 x 24]	1/3

Finishes



Light grey



Black

*The colours shown are merely indicative and may differ from reality. (Other colours on request)

**Request finishes for marine environments.

Headquarters Parc de Belloch
Ctra. C-251, Km 5,6
E-08430 La Roca (Barcelona, Spain)
+34 938 619 100

Warehouse
Carrer del Fou. Polígono Industrial Sud
E-08440 Cardedeu (Barcelona, Spain)
+34 938 619 182

