



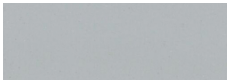
### Materials

The TML02 circular accessory allows the installation of a luminaire on a wall. Primed and powder coated die-cast aluminum bracket. Support in die-cast aluminum, primed and painted in powder. Stainless steel screws.  
 The vertical accessory TML06 allows the installation of a wall-mounted luminaire. 6063-T5 aluminum extrusion support, primed and powder-coated finish. Apply in injected aluminum EN AC-47100 with a primed and powder-painted finish. AISI304 stainless steel screws.

### Installation

Fix the accessory to the vertical facade and subsequently the luminaire to the accessory. The accessory is delivered disassembled. Instructions and screws included. \*Luminaire not included.  
 For further information go to [urbidermis.com](http://urbidermis.com)

### Finishes



Light grey

Black

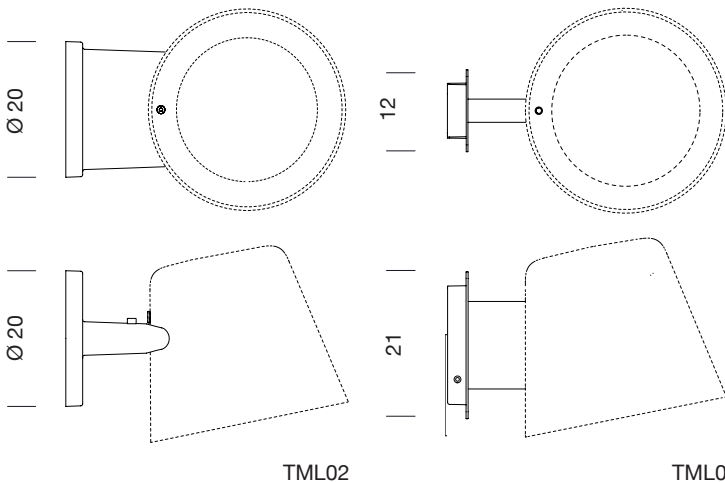
\*The colours shown are merely indicative and may differ from reality. (Other colours on request)

\*\*Request finishes for marine environments

### Weights kg (unpacked)

Circular accessory: 1,8

Vertical accessory: 0,6



TML02

TML06

Headquarters Parc de Belloch  
 Ctra. C-251, Km 5,6  
 E-08430 La Roca (Barcelona, Spain)  
 +34 938 619 100

Warehouse  
 Carrer del Fou. Polígono Industrial Sud  
 E-08440 Cardedeu (Barcelona, Spain)  
 +34 938 619 182



Dimensions in cm