



Materials

Accessory for installing a luminaire on a catenary. It allows a 360° degree rotation on plain view to orient the Tumbler luminaire. Injected aluminium clamp, primed and painted. Stainless steel screws.

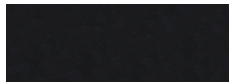
Installation

Fix the accessory to the luminaire and subsequently the assembly to the catenary. The anchoring system is integrated. Metal wire range admissible: Ø 6-8 mm. It is delivered disassembled. Instructions and screws included. *Luminaire and wire for catenary not included. For further information go to urbidermis.com

Finishes



Light grey



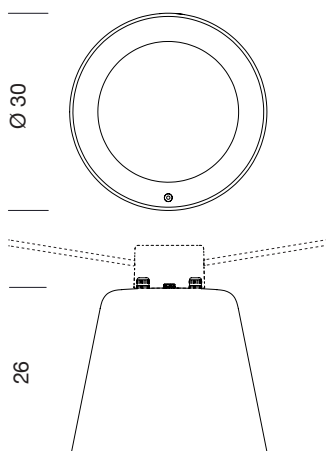
Black

*The colours shown are merely indicative and may differ from reality. (Other colours on request)

**Request finishes for marine environments

Weight kg (unpacked)

0,3



TML03

Headquarters Parc de Belloch
Ctra. C-251, Km 5,6
E-08430 La Roca (Barcelona, Spain)
+34 938 619 100

Warehouse
Carrer del Fou. Polígono Industrial Sud
E-08440 Cardedeu (Barcelona, Spain)
+34 938 619 182



Dimensions in cm